



DELIA LC4

LED-6L51E1050ZLN10/PC25C/L100 DALI 4K##

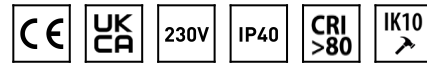
WWW.OSMONT.CZ

DELIA LC4

Product code: DEL58855

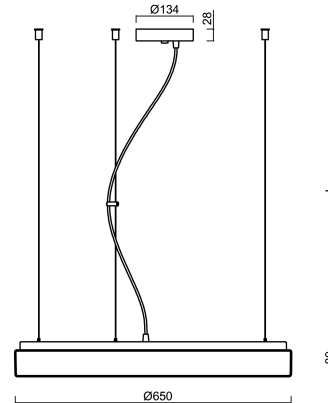
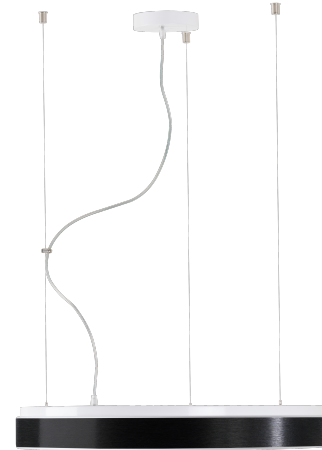
Type: LED-6L51E1050ZLN10/PC25C/L100 DALI 4K##

Short description of the luminaire: White colour | pendant LED light DALI | opal polycarbonate shade (PC) with black decorative stripe | steel wire pendant (with supply cable) 100 cm |



Technical data

Types of luminaires	Dimmable
Mounting type	Suspended - wire
Base material	steel
Shade material	opal polycarbonate
Base color	white Ral9003
Shade color	white - black
Holding the shade	folding system
Mounting location	ceiling
Width	650 mm
Length	650 mm
Height	80 mm
Diameter	ø 650 mm
Suspension length	1000 mm
mounting holes (diameter)	2xø5mm
Cable entrance	2xø16mm
Energy Class	D
Impact strength	IK10
Operating temperature	from -20°C to +30°C

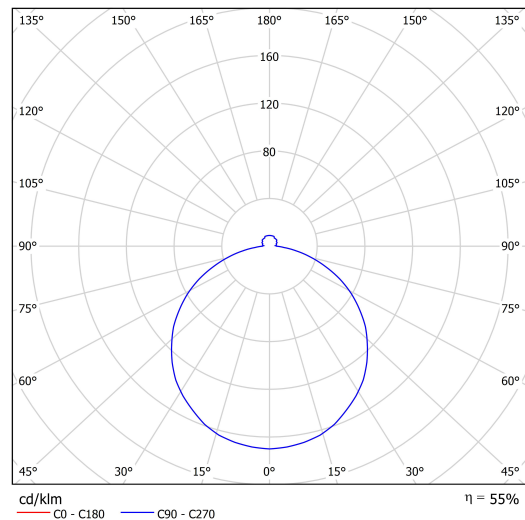


Electrical data

Power consumption	100 W
Ingress Protection	IP40
Socket	LED modul
terminal block	screw terminal block
Automatic circuit breaker type B10A	7 pcs
Automatic circuit breaker type B16A	11 pcs
Automatic circuit breaker type C10A	11 pcs
Automatic circuit breaker type C16A	18 pcs
Number of LED drivers	2

Luminous data

Lum. flux of luminaire	10430 lm
Lum. flux of light source	15810 lm
Luminaire efficacy	104 lm/W
Chromaticity temperature	4000 K
Rated life time LED L80/B10	100000 hours
CRI	Ra80
MacAdam	3
Blue light hazard	Risk group 0



Eulum data for calculation programs are available at

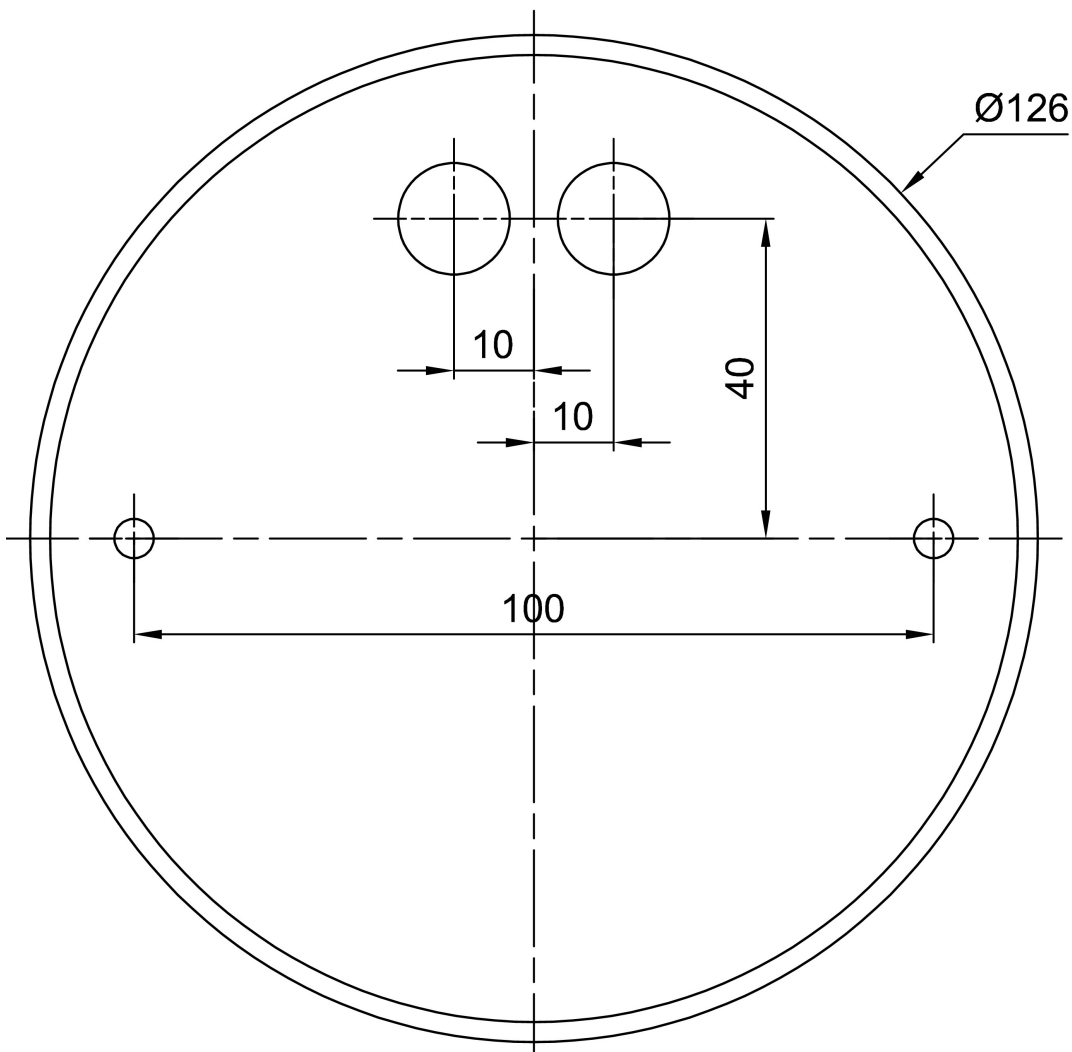
OSMONT, s.r.o.
HYBRÁLEC 129,
586 01 JIHLAVA, CZ

Logistical data

EAN	8591728193485
Weight NTTO	6.1 Kg
Weight BTTO	7.5 Kg
Warranty*	60 months

*The warranty for the batteries is valid for 36 months from the date of purchase.

Installation dimensions:



Additional assortment:

Lampshade

Product code	Name	Color	Picture	Drawing
20722	PC25C	white - black		