



## DELIA LC4

---

IN-42ZLN10/PC25C/L100\*\*

[WWW.OSMONT.CZ](http://WWW.OSMONT.CZ)

# DELIA LC4

Product code: DEL58847

Type: IN-42ZLN10/PC25C/L100\*\*

Short description of the luminaire: White colour | pendant E27 light ON/OFF | opal polycarbonate shade (PC) with black decorative stripe | steel wire pendant ( with supply cable) 100 cm |

## Technical data

Types of luminaires	Classic on/off
Mounting type	Suspended - wire
Base material	steel
Shade material	opal polycarbonate
Base color	white Ral9003
Shade color	white - black
Holding the shade	folding system
Mounting location	ceiling
Width	650 mm
Length	650 mm
Height	80 mm
Diameter	ø 650 mm
Suspension length	1000 mm
mounting holes (diameter)	2xø5mm
Cable entrance	2xø16mm
Impact strength	IK10
Operating temperature	from -20°C to +30°C

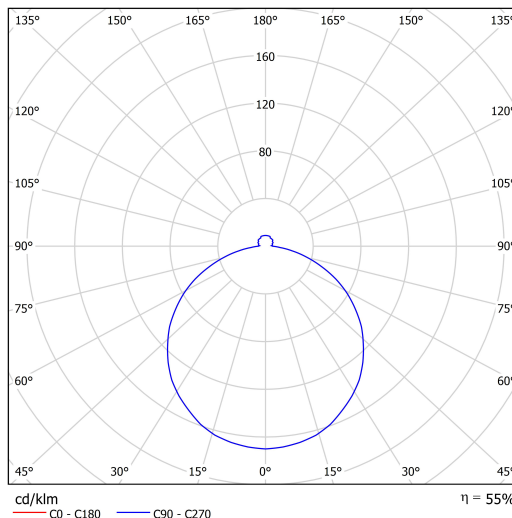
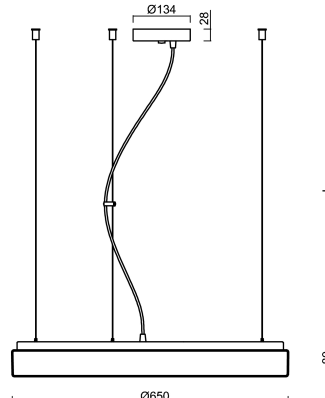
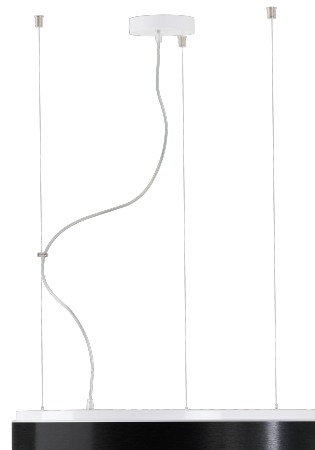
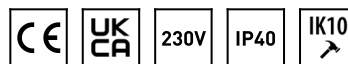
## Electrical data

Power consumption	4x25 W
Ingress Protection	IP40
Socket	E27
terminal block	screw terminal block

## Luminous data

Blue light hazard	Risk group 0
-------------------	--------------

Eulum data for calculation programs are available at [www.osmont.cz](http://www.osmont.cz).



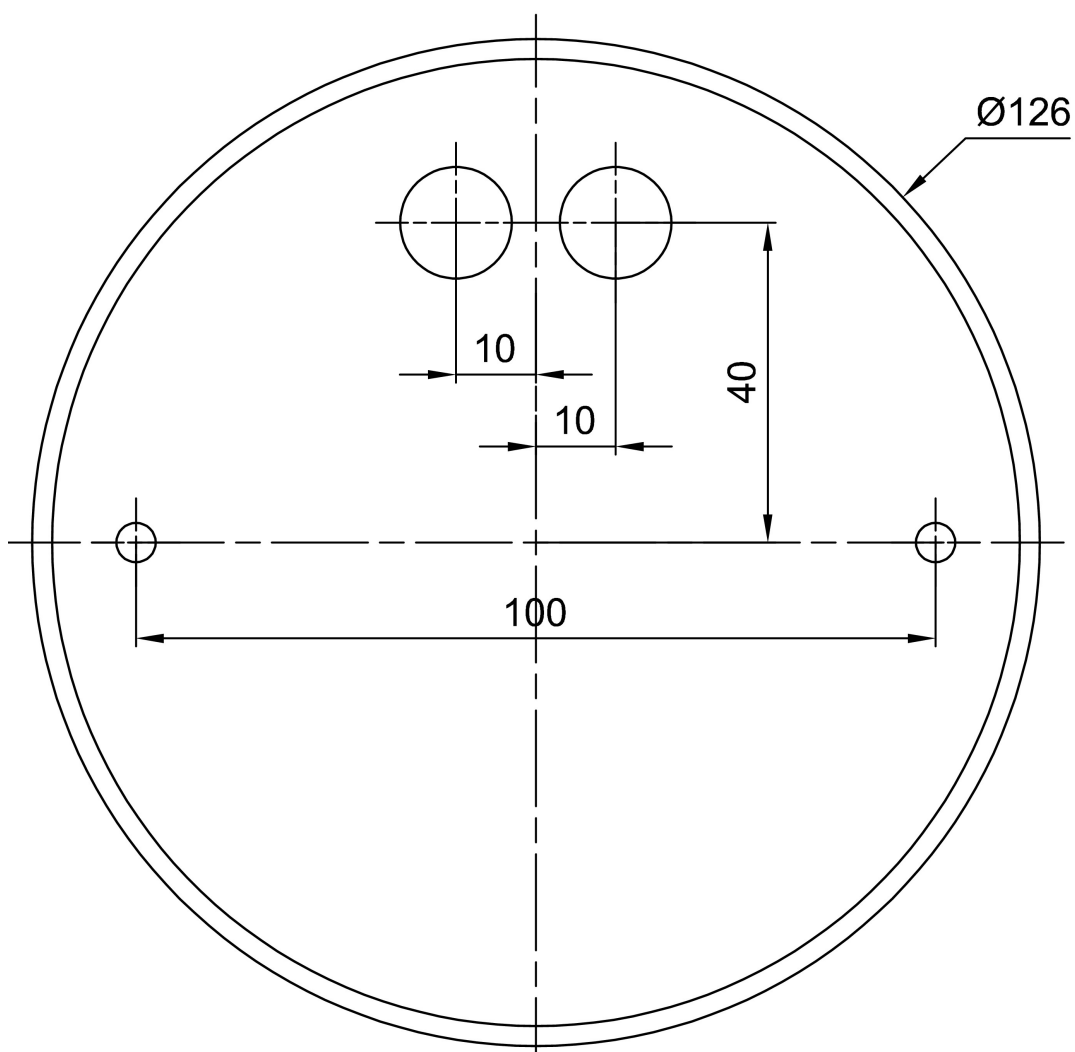
# TECHNICAL SHEET

## Logistical data

EAN	8591728193409
Weight NTT0	5.3 Kg
Weight BTTO	6.3 Kg
Warranty*	60 months

\*The warranty for the batteries is valid for 36 months from the date of purchase.

## Installation dimensions:



Additional assortment:

Lampshade

Product code	Name	Color	Picture	Drawing
20722	PC25C	white - black		