



## DELIA L5

---

LED-9L52EMP1050ZLN11/PC26/L100 3K##

[WWW.OSMONT.CZ](http://WWW.OSMONT.CZ)

# DELIA L5

Product code: DEL58841

Type: LED-9L52EMP1050ZLN11/PC26/L100 3K##

Short description of the luminaire: White colour | pendant LED light ON/OFF | multipower driver | opal polycarbonate shade (PC)| steel wire pendant ( with supply cable) 100 cm |

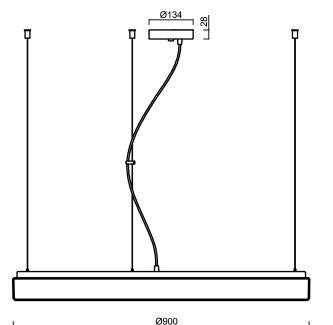


## Technical data

Types of luminaires	Classic on/off
Mounting type	Suspended - wire
Base material	steel
Shade material	opal polycarbonate
Base color	white Ral9003
Shade color	white
Holding the shade	folding system
Mounting location	ceiling
Width	900 mm
Length	900 mm
Height	85 mm
Diameter	ø 900 mm
Suspension length	1000 mm
mounting holes (diameter)	2xø5mm
Cable entrance	2xø16mm
Energy Class	D
Impact strength	IK10
Operating temperature	from -20°C to +30°C

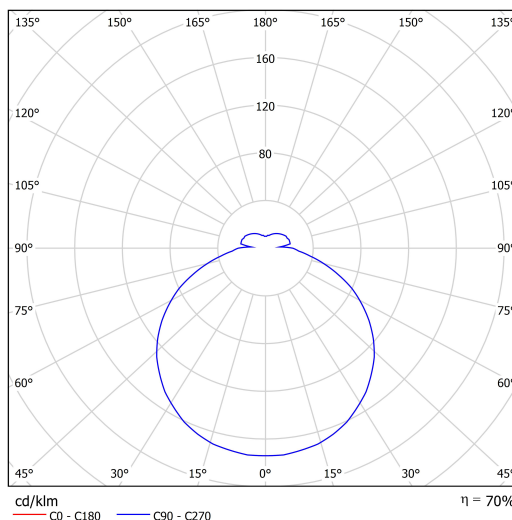
## Electrical data

Power consumption	150 W
Ingress Protection	IP40
Socket	LED modul
terminal block	screw terminal block
Automatic circuit breaker type B10A	8 pcs
Automatic circuit breaker type B16A	13 pcs
Automatic circuit breaker type C10A	8 pcs
Automatic circuit breaker type C16A	13 pcs
Number of LED drivers	3



## Luminous data

Lum. flux of luminaire	15910 lm
Lum. flux of light source	22730 lm
Luminaire efficacy	106 lm/W
Chromaticity temperature	3000 K
Rated life time LED L80/B10	100000 hours
CRI	Ra80
MacAdam	3
Blue light hazard	Risk group 0



Eulum data for calculation programs are available at

OSMONT, s.r.o.  
HYBRÁLEC 129,  
586 01 JIHLAVA, CZ

**Multipower**

Possibility of output adjustment by the user (DIP switch on the current source).

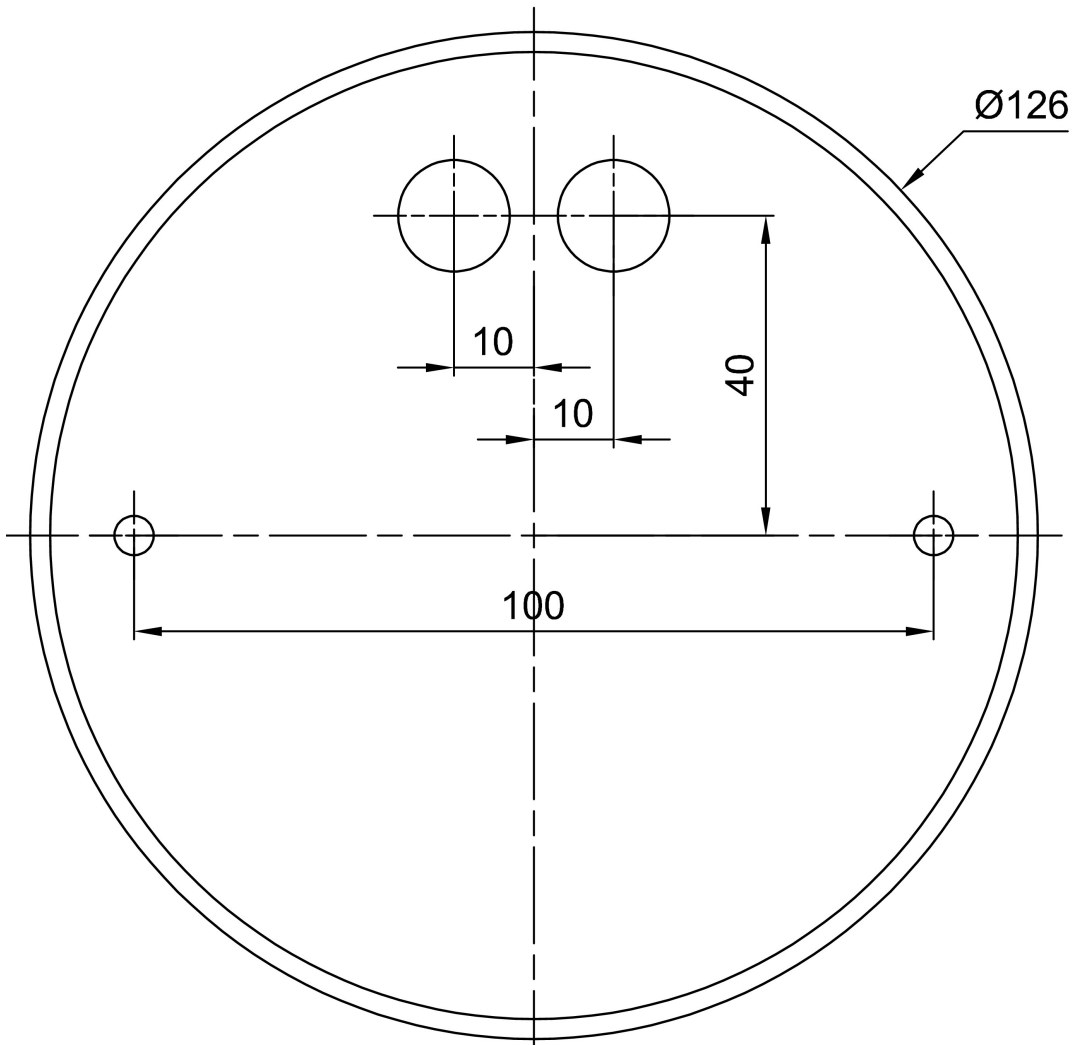
I [mA]	1050	1000	950	900	850	800	750	700
[%]	100	95	90	86	81	76	71	67

**Logistical data**

EAN	8591728193348
Weight NTTO	10.5 Kg
Weight BTTO	13.2 Kg
Warranty*	60 months

\*The warranty for the batteries is valid for 36 months from the date of purchase.

**Installation dimensions:**



## Additional assortment:

## Lampshade

Product code	Name	Color	Picture	Drawing
20655	PC26	white	