



DELIA L5

IN-62ZL11/PM26/L100**

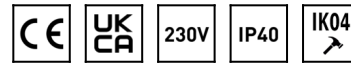
WWW.OSMONT.CZ

DELIA L5

Product code: DEL44282

Type: IN-62ZL11/PM26/L100**

Short description of the luminaire: White pendant E27 light ON/OFF and PMMA shade.



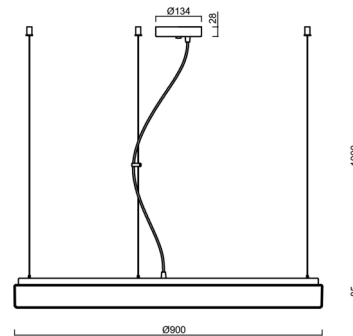
Technical

Types of luminaires	Classic on/off
Mounting type	Suspended - wire
Base material	steel
Shade material	opal polymethyl methacrylate
Base color	white Ral9003
Shade color	white
Holding the shade	folding system
Mounting location	ceiling
Width	900 mm
Length	900 mm
Height	90 mm
Diameter	ø 900 mm
Hinge length	1000 mm
mounting holes (diameter)	2xø5mm
Installation wire (diameter)	2xø16mm
Impact strength	IK04
Operating temperature	from -20°C to +30°C



Electric

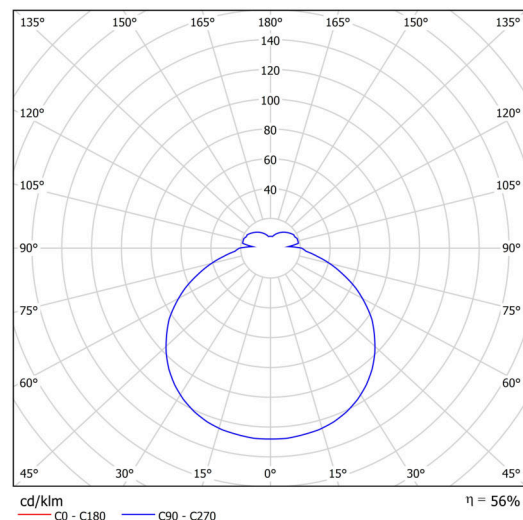
Voltage type	AC
AC voltage	220 - 240 V
Power consumption	6x25 W
Ingress Protection	IP40
Socket	E27
terminal block	screw terminal block



Luminous

Blue light hazard	Risk group 0
-------------------	--------------

Eulum data for calculation programs are available at www.osmont.cz.



Logistic

EAN	8591728442828
Weight NTTO	9.3 Kg
Weight BTTO	11.5 Kg
Number of cartons	1 pcs
Package volume	0.205 m ³
Package 1 width	0.94 m
Package 1 length	0.95 m
Package 1 height	0.23 m
Warranty*	60 months

*The warranty for the batteries is valid for 12 months from the date of purchase.

Installation dimensions:



Additional assortment:

Lampshade

Product code	Name	Color	Description	Picture	Drawing
20536	PM26	white		