



## DELIA C2

---

IN-22KN83/PM23C HF\*

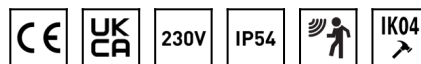
[WWW.OSMONT.CZ](http://WWW.OSMONT.CZ)

# DELIA C2

Product code: DEL52599

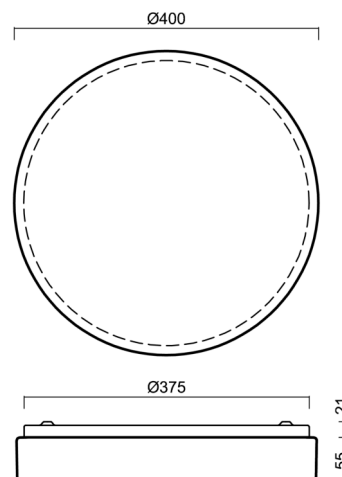
Type: IN-22KN83/PM23C HF\*

Short description of the luminaire: White surface-mounted E27 light with sensor and PMMA shade with black decorative stripe.



## Technical

Types of luminaires	Sensor
Mounting type	surface mounted
Base material	steel
Shade material	opal polymethyl methacrylate
Base color	white Ral9003
Shade color	white - black
Holding the shade	folding system
Mounting location	ceiling/wall
Width	400 mm
Length	400 mm
Height	80 mm
Diameter	ø 400 mm
mounting holes (diameter)	3xø5mm
Installation wire (diameter)	2xø16mm
Impact strength	IK04
Operating temperature	from -20°C to +30°C



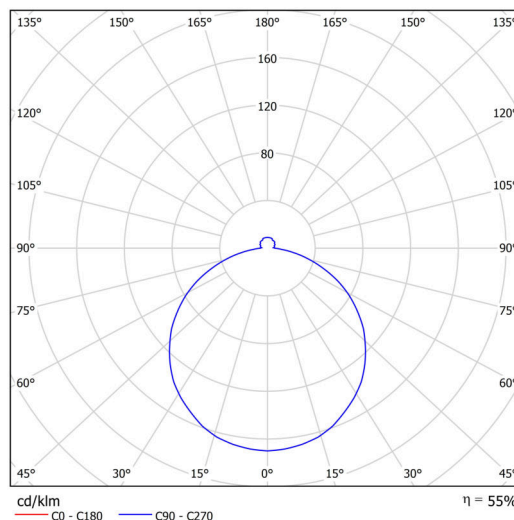
## Electric

Voltage type	AC
AC voltage	220 - 240 V
Power consumption	2x25 W
Ingress Protection	IP54
Socket	E27
Sensor	HF
terminal block	snap terminal block

## Luminous

Blue light hazard	Risk group 0
-------------------	--------------

Eulum data for calculation programs are available at [www.osmont.cz](http://www.osmont.cz).



Logistic

EAN	8591728525996
Weight NTTO	1.5 Kg
Weight BTTO	1.9 Kg
Number of cartons	1 pcs
Package volume	0.015 m <sup>3</sup>
Package 1 width	0.41 m
Package 1 length	0.41 m
Package 1 height	0.09 m
Warranty*	60 months

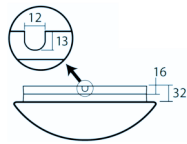
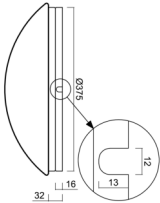
\*The warranty for the batteries is valid for 12 months from the date of purchase.

Installation dimensions:



Additional assortment:

Base for surface mounting

Product code	Name	Color	Description	Picture	Drawing
33502	KN8,K8/BP	white Ra19003			

Lampshade

Product code	Name	Color	Description	Picture	Drawing
20571	PM23C	white - black		