



## DELIA C1

---

LED-1L14EMP700KN62/PM22C/NK1W HF 4K#

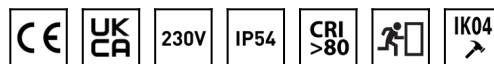
[WWW.OSMONT.CZ](http://WWW.OSMONT.CZ)

# DELIA C1

Product code: DEL69563

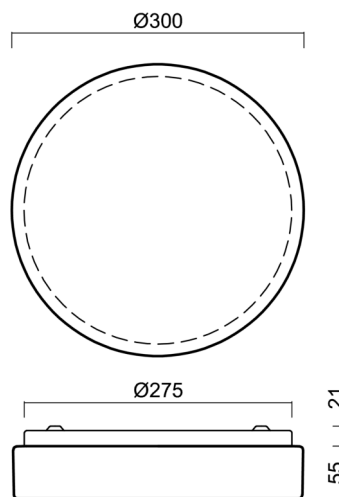
Type: LED-1L14EMP700KN62/PM22C/NK1W HF 4K#

Short description of the luminaire: White surface-mounted LED light with emergency unit combined with sensor and PMMA shade.



## Technical

|                              |                              |
|------------------------------|------------------------------|
| Types of luminaires          | Emergency combined + sensor  |
| Mounting type                | surface mounted              |
| Base material                | steel                        |
| Shade material               | opal polymethyl methacrylate |
| Base color                   | white Ral9003                |
| Shade color                  | white - black                |
| Holding the shade            | folding system               |
| Mounting location            | ceiling/wall                 |
| Width                        | 300 mm                       |
| Length                       | 300 mm                       |
| Height                       | 75 mm                        |
| Diameter                     | ø 300 mm                     |
| mounting holes (diameter)    | 3xø4mm                       |
| Installation wire (diameter) | 2xø16mm                      |
| Energy Class                 | D                            |
| Impact strength              | IK04                         |
| Operating temperature        | from -20°C to +30°C          |

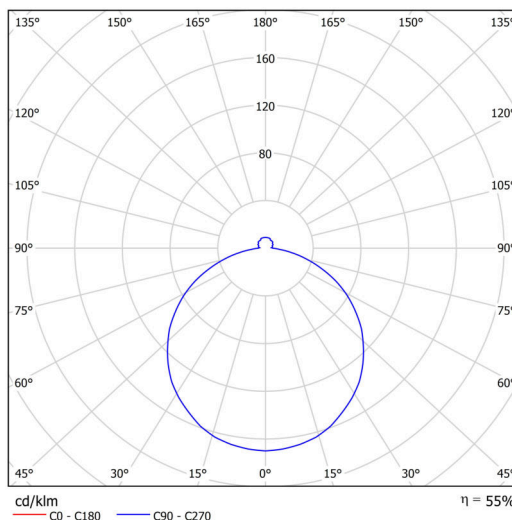


## Electric

|                                     |           |
|-------------------------------------|-----------|
| Power consumption                   | 18 W      |
| Ingress Protection                  | IP54      |
| Socket                              | LED modul |
| Sensor                              | HF        |
| Battery type                        | NiCd      |
| Emergency time                      | 3 hours   |
| terminal block                      | screwless |
| Automatic circuit breaker type B10A | 26 pcs    |
| Automatic circuit breaker type B16A | 40 pcs    |
| Automatic circuit breaker type C10A | 30 pcs    |
| Automatic circuit breaker type C16A | 48 pcs    |

## Luminous

|                                             |              |
|---------------------------------------------|--------------|
| Lum. flux of luminaire                      | 1550 lm      |
| Lum. flux of light source                   | 2810 lm      |
| Lum. flux of light source in emergency mode | 150 lm       |
| Luminaire efficacy                          | 86 lm/W      |
| Temperature                                 | 4000 K       |
| Rated life time LED L80/B10                 | 100000 hours |
| CRI                                         | Ra80         |
| MacAdam                                     | 3            |



## TECHNICAL SHEET



|                   |              |
|-------------------|--------------|
| Blue light hazard | Risk group 0 |
|-------------------|--------------|

*Eulum data for calculation programs are available at  
www.osmont.cz.*

### Multipower

Possibility of output adjustment by the user (DIP switch on the current source).

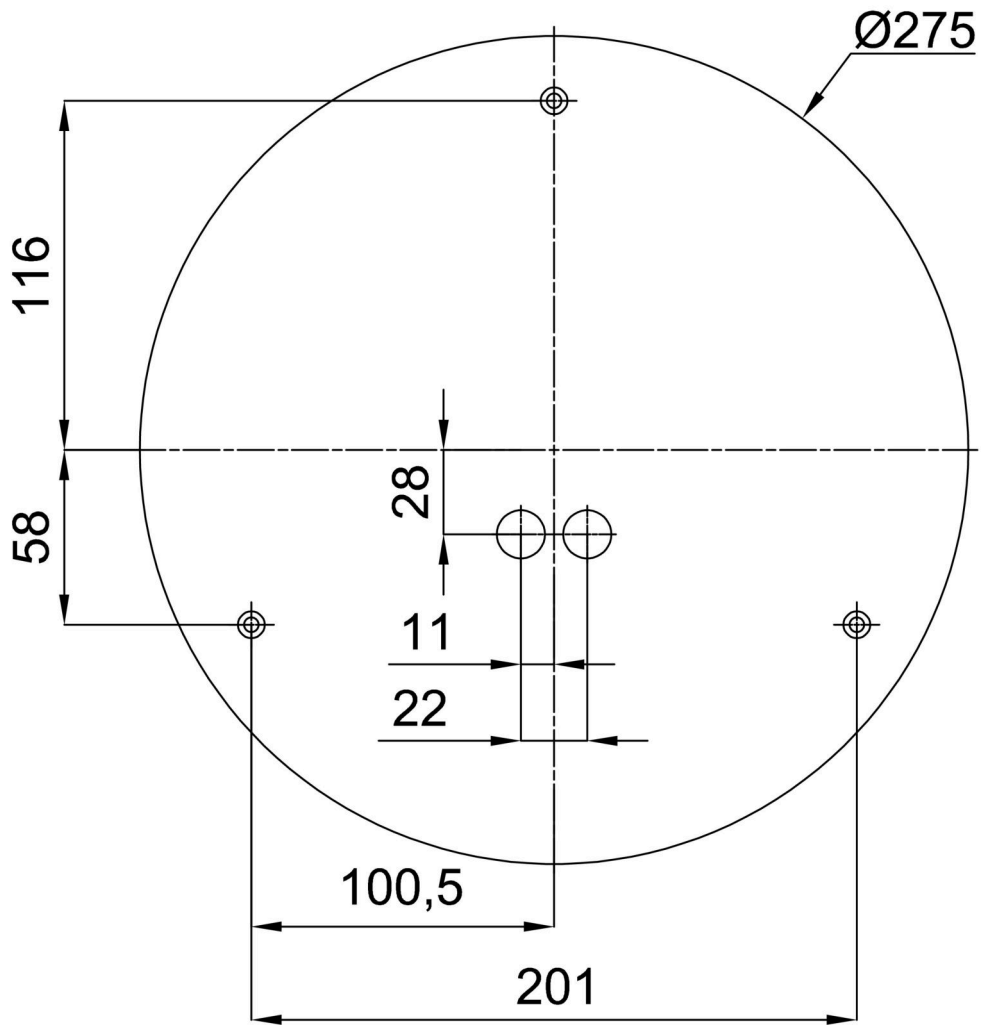
|        |     |     |     |     |  |
|--------|-----|-----|-----|-----|--|
| I [mA] | 700 | 600 | 500 | 400 |  |
| [%]    | 100 | 86  | 71  | 57  |  |

### Logistic

|                   |                     |
|-------------------|---------------------|
| EAN               | 8591728078546       |
| Weight NTTO       | 1.1 Kg              |
| Weight BTTO       | 1.3 Kg              |
| Number of cartons | 1 pcs               |
| Package volume    | 0.01 m <sup>3</sup> |
| Package 1 width   | 0.31 m              |
| Package 1 length  | 0.31 m              |
| Package 1 height  | 0.1 m               |
| Warranty*         | 60 months           |

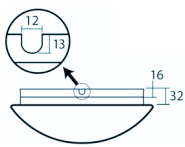
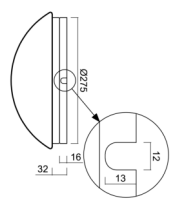
*\*The warranty for the batteries is valid for 12 months from the date of purchase.*

### Installation dimensions:




Additional assortment:

Base for surface mounting

| Product code | Name      | Color            | Description | Picture                                                                            | Drawing                                                                             |
|--------------|-----------|------------------|-------------|------------------------------------------------------------------------------------|-------------------------------------------------------------------------------------|
| 33501        | KN6,K6/BP | white<br>Ra19003 |             |  |  |

Lampshade

| Product code | Name  | Color            | Description | Picture                                                                            | Drawing |
|--------------|-------|------------------|-------------|------------------------------------------------------------------------------------|---------|
| 20570        | PM22C | white -<br>black |             |  |         |