



DELIA 4

LED-6L51EMP1050KN10/PM25/NK1W 4K##

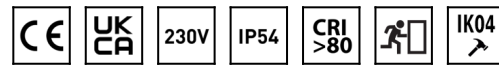
WWW.OSMONT.CZ

DELIA 4

Product code: DEL58776

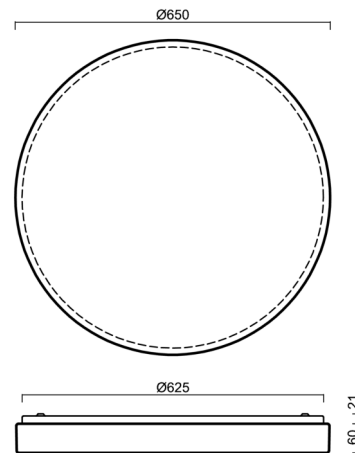
Type: LED-6L51EMP1050KN10/PM25/NK1W 4K##

Short description of the luminaire: White surface-mounted LED light with emergency unit combined and PMMA shade



Technical

Types of luminaires	Emergency combined
Mounting type	surface mounted
Base material	steel
Shade material	opal polymethyl methacrylate
Base color	white Ra9003
Shade color	white
Holding the shade	folding system
Mounting location	ceiling/wall
Width	650 mm
Length	650 mm
Height	80 mm
Diameter	ø 650 mm
mounting holes (diameter)	3xø5mm
Installation wire (diameter)	2xø16mm
Energy Class	D
Impact strength	IK04
Operating temperature	from 0°C to +30°C

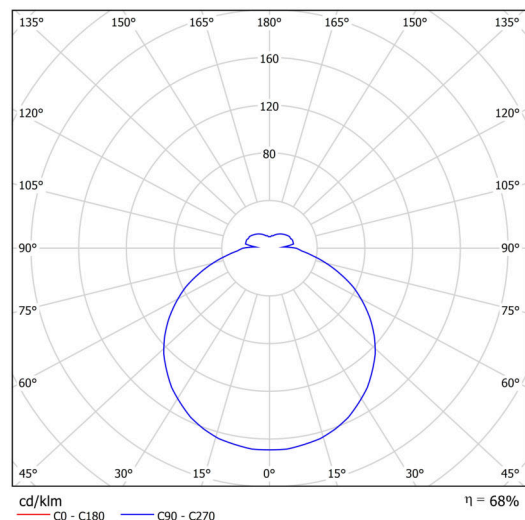


Electric

Power consumption	100 W
Ingress Protection	IP54
Socket	LED modul
Battery type	NiCd
Emergency time	3 hours
terminal block	snap terminal block
Automatic circuit breaker type B10A	10 pcs
Automatic circuit breaker type B16A	17 pcs
Automatic circuit breaker type C10A	11 pcs
Automatic circuit breaker type C16A	18 pcs

Luminous

Lum. flux of luminaire	10750 lm
Lum. flux of light source	15810 lm
Lum. flux of light source in emergency mode	150 lm
Luminaire efficacy	107 lm/W
Temperature	4000 K
Rated life time LED L80/B10	100000 hours
CRI	Ra80
MacAdam	3
Blue light hazard	Risk group 0



TECHNICAL SHEET



Eulum data for calculation programs are available at www.osmont.cz.

Multipower

Possibility of output adjustment by the user (DIP switch on the current source).

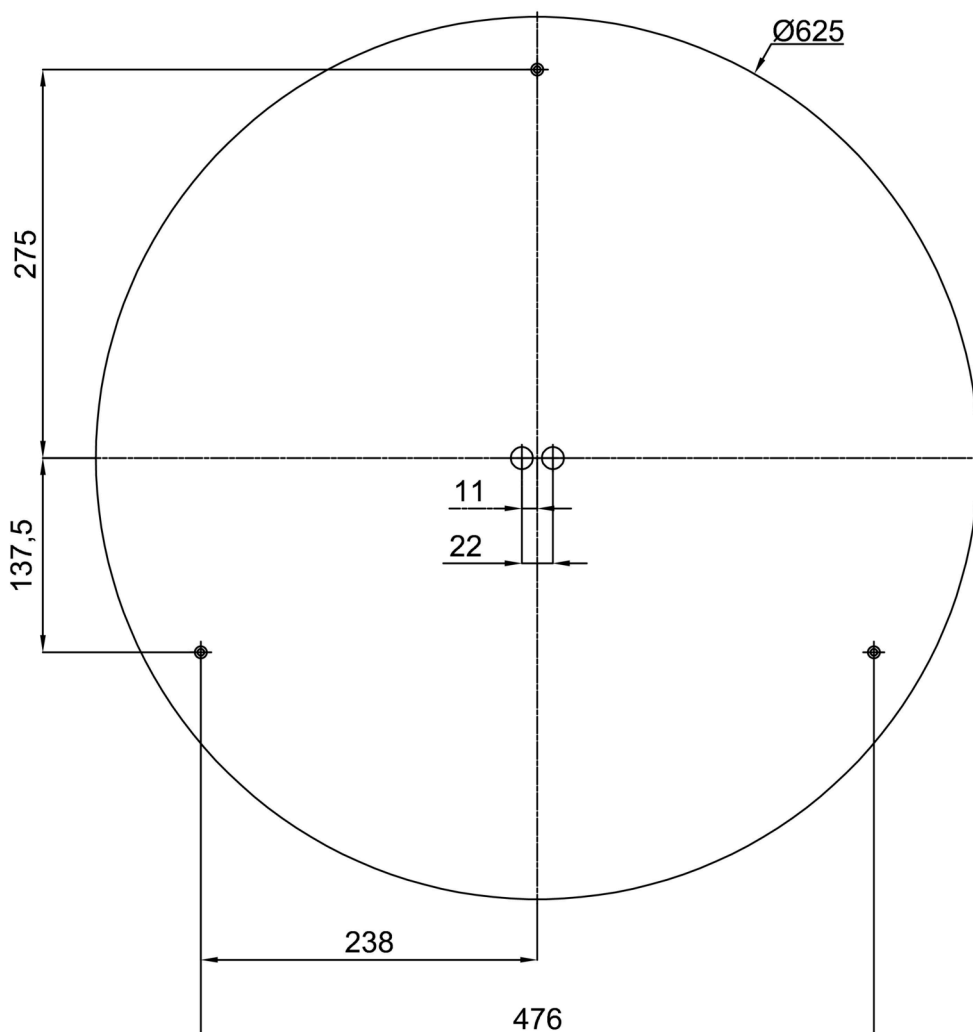
I [mA]	1050	900	850	700	
[%]	100	86	81	67	

Logistic

EAN	8591728074302
Weight NTTO	5.5 Kg
Weight BTTO	6.9 Kg
Number of cartons	1 pcs
Package volume	0.08 m ³
Package 1 width	0.68 m
Package 1 length	0.69 m
Package 1 height	0.17 m
Warranty*	60 months

*The warranty for the batteries is valid for 12 months from the date of purchase.

Installation dimensions:



Additional assortment:

Lampshade

Product code	Name	Color	Description	Picture	Drawing
20535	PM25	white		