



DELIA 3

IN-32KN94/PC24**

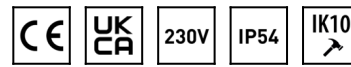
WWW.OSMONT.CZ

DELIA 3

Product code: DEL56130

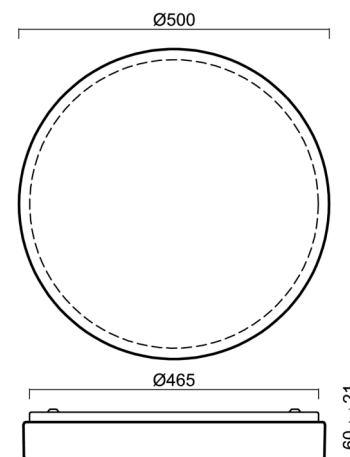
Type: IN-32KN94/PC24**

Short description of the luminaire: White surface-mounted E27 light ON/OFF and polycarbonate shade.



Technical

Types of luminaires	Classic on/off
Mounting type	surface mounted
Base material	steel
Shade material	opal polycarbonate
Base color	white Ral9003
Shade color	white
Holding the shade	folding system
Mounting location	ceiling/wall
Width	500 mm
Length	500 mm
Height	85 mm
Diameter	ø 500 mm
mounting holes (diameter)	3xø5mm
Installation wire (diameter)	2xø16mm
Impact strength	IK10
Operating temperature	from -20°C to +30°C



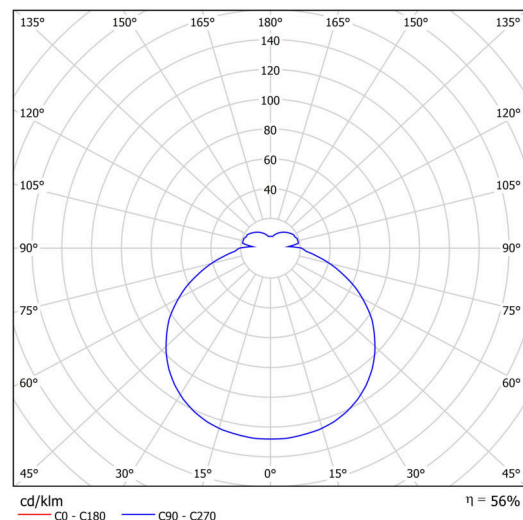
Electric

Voltage type	AC
AC voltage	220 - 240 V
Power consumption	3x25 W
Ingress Protection	IP54
Socket	E27
terminal block	snap terminal block

Luminous

Blue light hazard	Risk group 0
-------------------	--------------

Eulum data for calculation programs are available at www.osmont.cz.

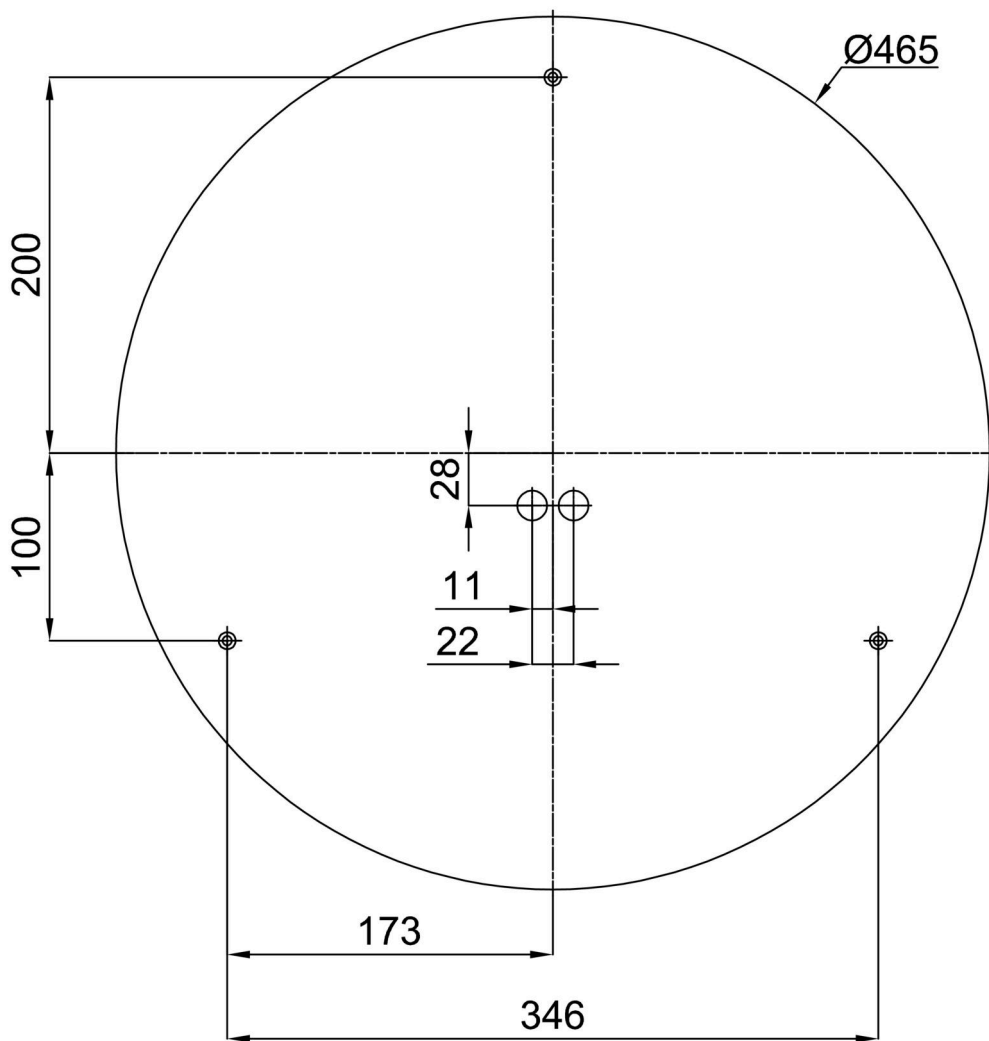


Logistic

EAN	8591728561307
Weight NTTO	2.5 Kg
Weight BTTO	2.8 Kg
Number of cartons	1 pcs
Package volume	0.023 m ³
Package 1 width	0.51 m
Package 1 length	0.51 m
Package 1 height	0.09 m
Warranty*	60 months

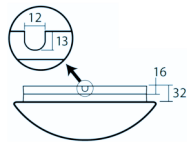
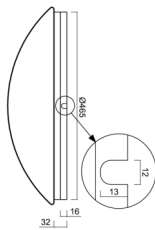
*The warranty for the batteries is valid for 12 months from the date of purchase.

Installation dimensions:



Additional assortment:

Base for surface mounting

Product code	Name	Color	Description	Picture	Drawing
33503	KN9,K9,B17 /BP	white Ra19003			

Lampshade

Product code	Name	Color	Description	Picture	Drawing
20524	PC24	white		