



DELIA 2

IN-22KN83/PC23 HF*

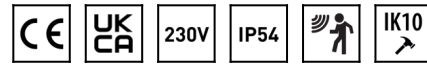
WWW.OSMONT.CZ

DELIA 2

Product code: DEL56116

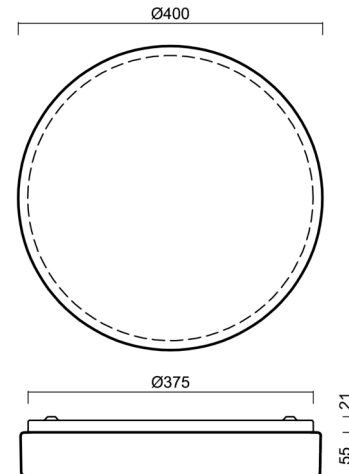
Type: IN-22KN83/PC23 HF*

Short description of the luminaire: White surface-mounted E27 light with sensor and polycarbonate shade.



Technical

Types of luminaires	Sensor
Mounting type	surface mounted
Base material	steel
Shade material	opal polycarbonate
Base color	white Ral9003
Shade color	white
Holding the shade	folding system
Mounting location	ceiling/wall
Width	400 mm
Length	400 mm
Height	80 mm
Diameter	∅ 400 mm
mounting holes (diameter)	3x∅5mm
Installation wire (diameter)	2x∅16mm
Impact strength	IK10
Operating temperature	from -20°C to +30°C



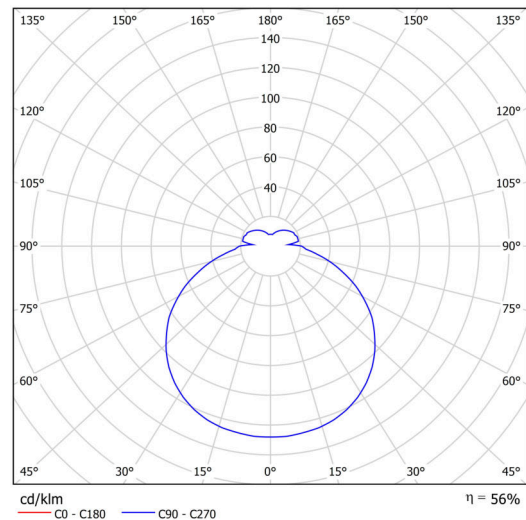
Electric

Voltage type	AC
AC voltage	220 - 240 V
Power consumption	2x25 W
Ingress Protection	IP54
Socket	E27
Sensor	HF
terminal block	snap terminal block

Luminous

Blue light hazard	Risk group 0
-------------------	--------------

Eulum data for calculation programs are available at www.osmont.cz.

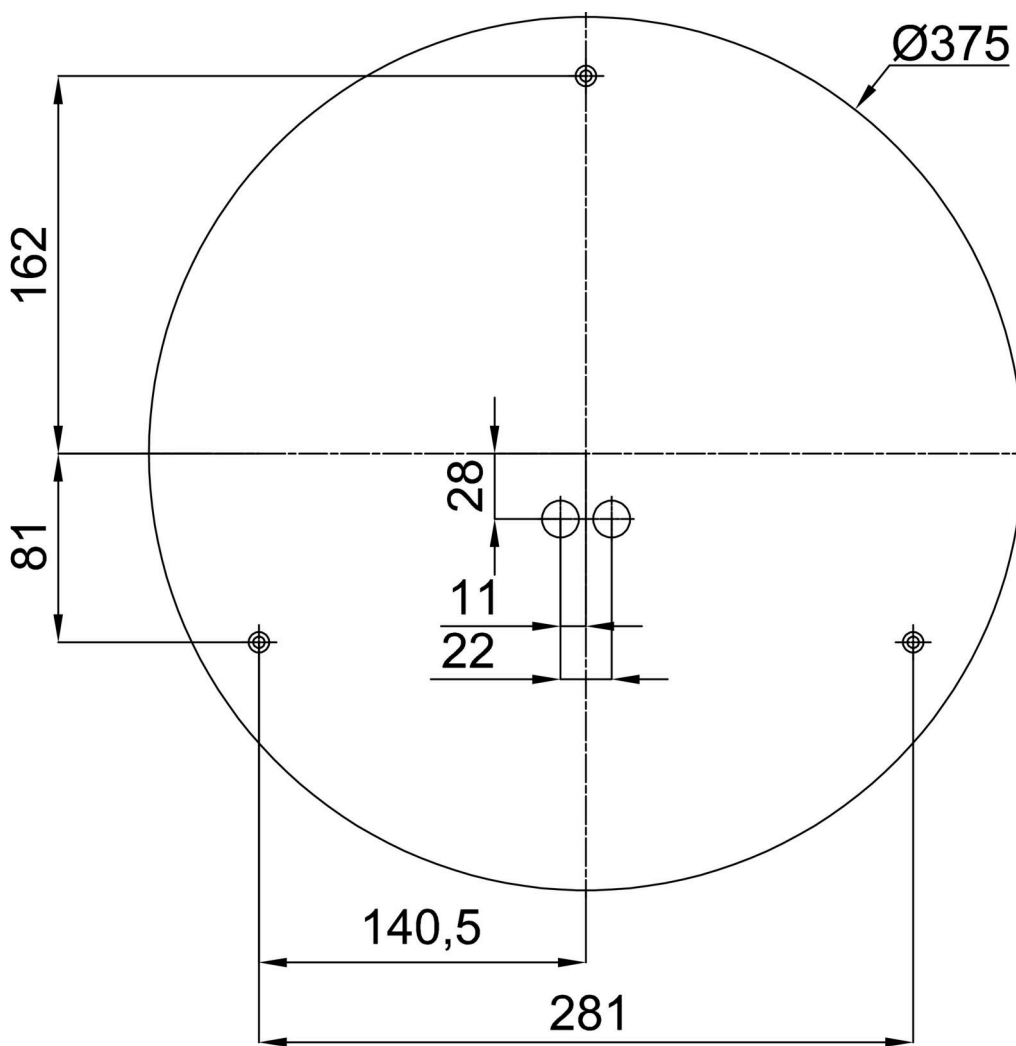


Logistic

EAN	8591728561161
Weight NTT0	1.5 Kg
Weight BTTO	1.9 Kg
Number of cartons	1 pcs
Package volume	0.015 m ³
Package 1 width	0.41 m
Package 1 length	0.41 m
Package 1 height	0.09 m
Warranty*	60 months

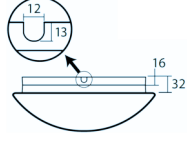
*The warranty for the batteries is valid for 12 months from the date of purchase.

Installation dimensions:



Additional assortment:

Base for surface mounting

Product code	Name	Color	Description	Picture	Drawing
33502	KN8,K8/BP	white Ral9003			

Lampshade

Product code	Name	Color	Description	Picture	Drawing
20522	PC23	white		