



CORVUS V1

LED-1L17E700KNV73/PC42 DALI 3K#

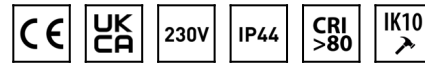
WWW.OSMONT.CZ

CORVUS V1

Product code: COR72001

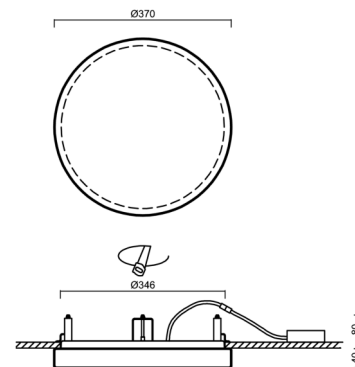
Type: LED-1L17E700KNV73/PC42 DALI 3K#

Short description of the luminaire: White semi-recessed changeable LED light DALI and polycarbonate shade



Technical

Types of luminaires	Dimmable
Mounting type	semi-recessed
Base material	steel
Shade material	opal polycarbonate
Base color	white Ra9003
Shade color	white
Holding the shade	folding system
Mounting location	ceiling/wall
Width	370 mm
Length	370 mm
Height	40 mm
Diameter	ø 370 mm
mounting holes (diameter)	none
Installation wire (diameter)	none
Energy Class	D
Impact strength	IK10
Operating temperature	from -20°C to +30°C

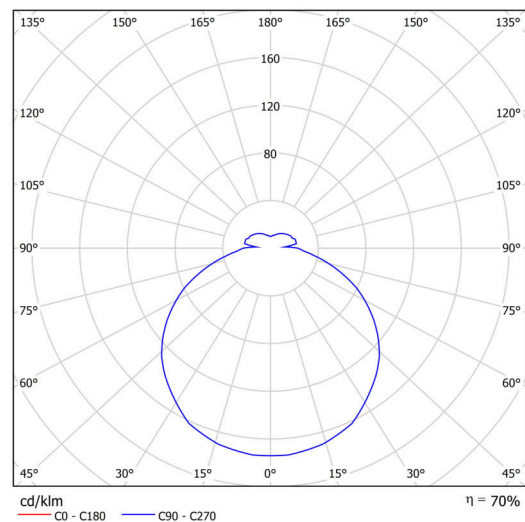


Electric

Power consumption	25 W
Ingress Protection	IP44
Socket	LED modul
terminal block	none
Automatic circuit breaker type B10A	19 pcs
Automatic circuit breaker type B16A	32 pcs
Automatic circuit breaker type C10A	31 pcs
Automatic circuit breaker type C16A	53 pcs

Luminous

Lum. flux of luminaire	2640 lm
Lum. flux of light source	3770 lm
Luminaire efficacy	105 lm/W
Temperature	3000 K
Rated life time LED L80/B10	100000 hours
CRI	Ra80
MacAdam	3
Blue light hazard	Risk group 0



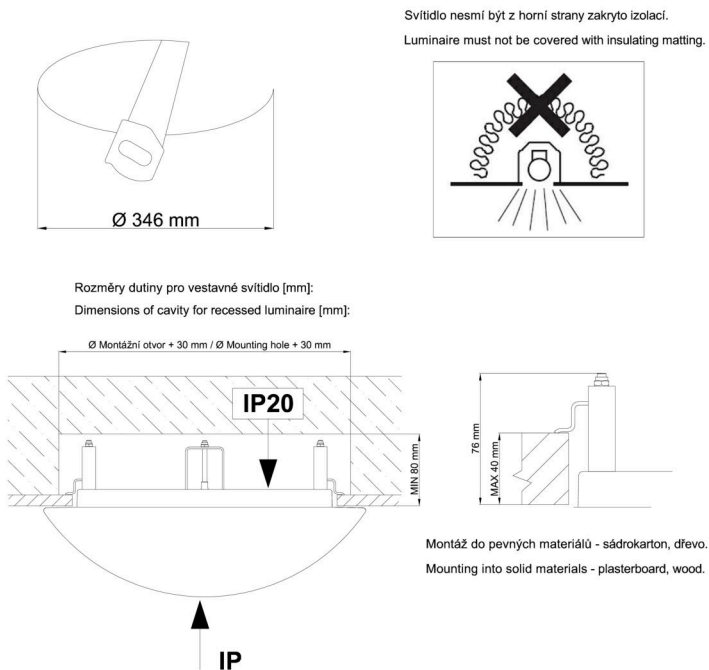
Eulum data for calculation programs are available at www.osmont.cz.

Logistic

EAN	8591728072384
Weight NTTO	1.8 Kg
Weight BTTO	2 Kg
Number of cartons	1 pcs
Package volume	0.03 m ³
Package 1 width	0.39 m
Package 1 length	0.39 m
Package 1 height	0.2 m
Warranty*	60 months

*The warranty for the batteries is valid for 12 months from the date of purchase.

Installation dimensions:



Additional assortment:

Lampshade

Product code	Name	Color	Description	Picture	Drawing
20613	PC42	white		