

## **CORVUS LE1**

---

LED-1L17E700ZLEN73/PC42/L100 S 4K#

[WWW.OSMONT.CZ](http://WWW.OSMONT.CZ)

# CORVUS LE1

Product code: COR72804

Type: LED-1L17E700ZLEN73/PC42/L100 S 4K#

Short description of the luminaire: Silver pendant LED light ON/OFF and polycarbonate shade.



## Technical

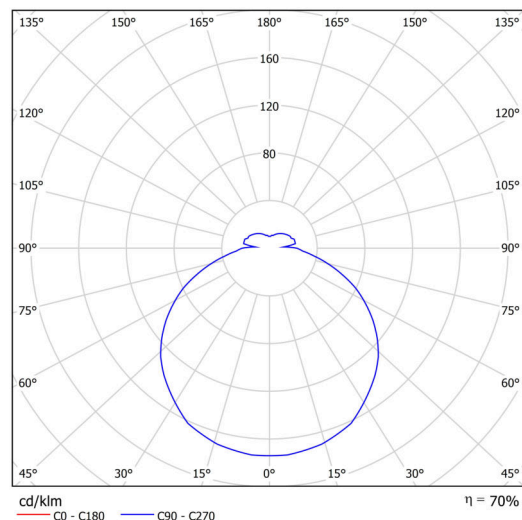
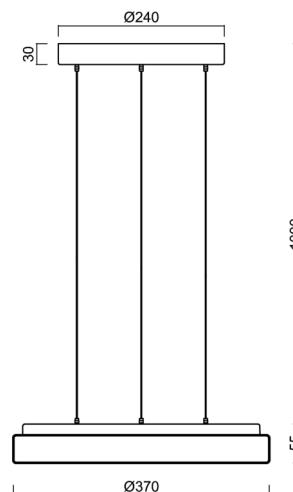
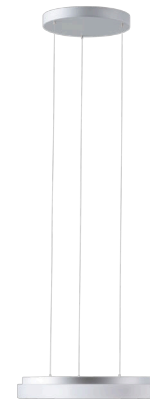
Types of luminaires	Classic on/off
Mounting type	Suspended - SELV wire (cableless)
Base material	steel
Shade material	opal polycarbonate
Base color	silver Ral9006
Shade color	white
Holding the shade	folding system
Mounting location	ceiling
Width	370 mm
Length	370 mm
Height	55 mm
Diameter	Ø 370 mm
Hinge length	1000 mm
mounting holes (diameter)	3xØ5mm
Installation wire (diameter)	2xØ16mm
Energy Class	D
Impact strength	IK10
Operating temperature	from -20°C to +30°C

## Electric

Power consumption	25 W
Ingress Protection	IP40
Socket	LED modul
terminal block	snap terminal block
Automatic circuit breaker type B10A	14 pcs
Automatic circuit breaker type B16A	22 pcs
Automatic circuit breaker type C10A	23 pcs
Automatic circuit breaker type C16A	36 pcs

## Luminous

Lum. flux of luminaire	2480 lm
Lum. flux of light source	3930 lm
Luminaire efficacy	99 lm/W
Temperature	4000 K
Rated life time LED L80/B10	100000 hours
CRI	Ra80
MacAdam	3
Blue light hazard	Risk group 0



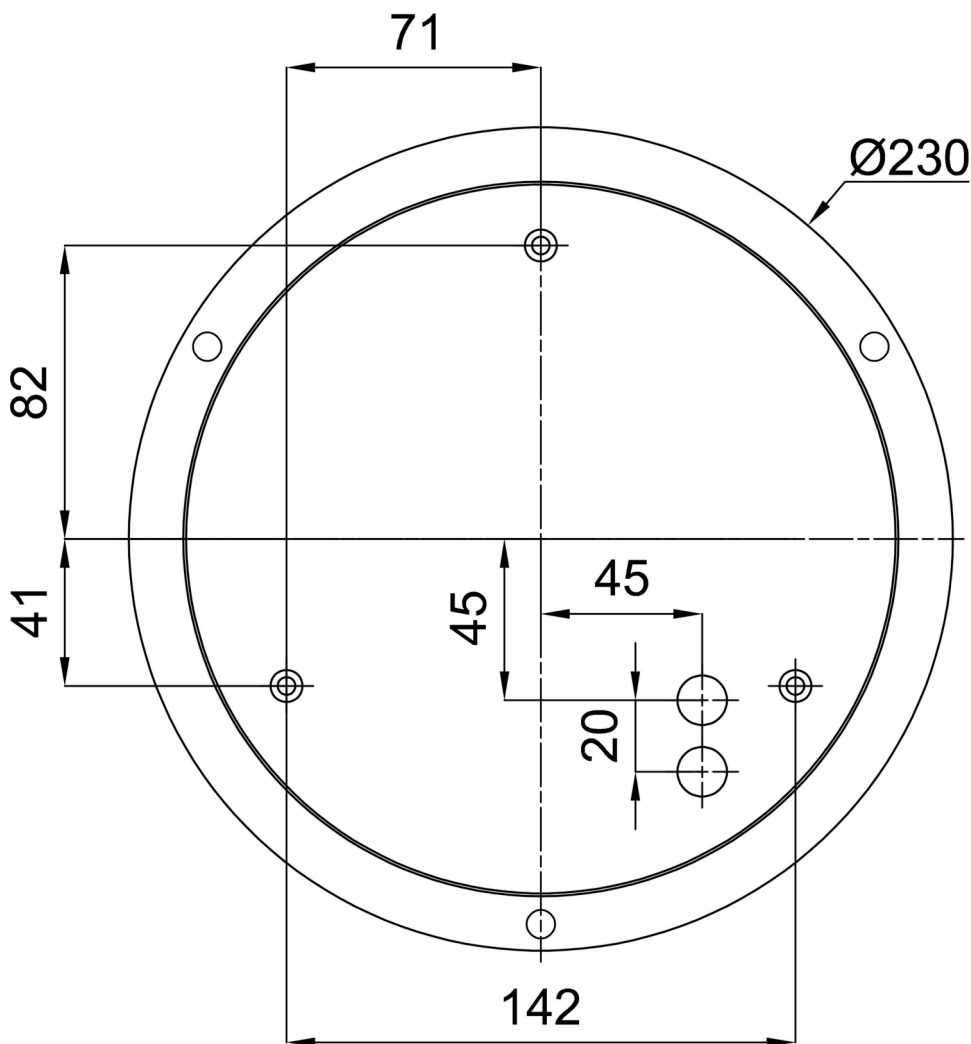
Eulum data for calculation programs are available at [www.osmont.cz](http://www.osmont.cz).

Logistic

EAN	8591728072711
Weight NTTO	3.12 Kg
Weight BTTO	3.52 Kg
Number of cartons	1 pcs
Package volume	0.38 m <sup>3</sup>
Package 1 width	0.38 m
Package 1 length	0.22 m
Package 1 height	0.22 m
Warranty*	60 months

\*The warranty for the batteries is valid for 12 months from the date of purchase.

Installation dimensions:



Additional assortment:

Lampshade

Product code	Name	Color	Description	Picture	Drawing
20613	PC42	white		