



## CITADELA 2

---

LED-1L20EX1050KN96/426/SL540C C DALI 4K##

[WWW.OSMONT.CZ](http://WWW.OSMONT.CZ)

# CITADELA 2

Product code: CIT50513

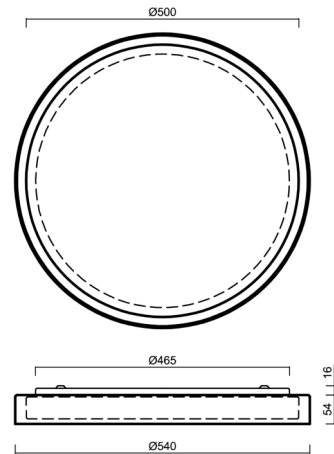
Type: LED-1L20EX1050KN96/426/SL540C C DALI 4K##

Short description of the luminaire: Black colour | ceiling or wall LED light DALI | TRIPLEX OPAL hand blown glass shade with decorative crystal collar (smoked)|



## Technical data

|                           |                                |
|---------------------------|--------------------------------|
| Types of luminaires       | Dimmable                       |
| Mounting type             | surface mounted                |
| Base material             | steel                          |
| Shade material            | three-layer glass TRIPLEX OPAL |
| Base color                | black Ral9005                  |
| Shade color               | white                          |
| Holding the shade         | folding system                 |
| Mounting location         | ceiling                        |
| Width                     | 540 mm                         |
| Length                    | 540 mm                         |
| Height                    | 70 mm                          |
| Diameter                  | ø 540 mm                       |
| mounting holes (diameter) | 2xø5mm                         |
| Cable entrance            | 2xø16mm                        |
| Energy Class              | D                              |
| Impact strength           | IK01                           |
| Operating temperature     | from -20°C to +30°C            |



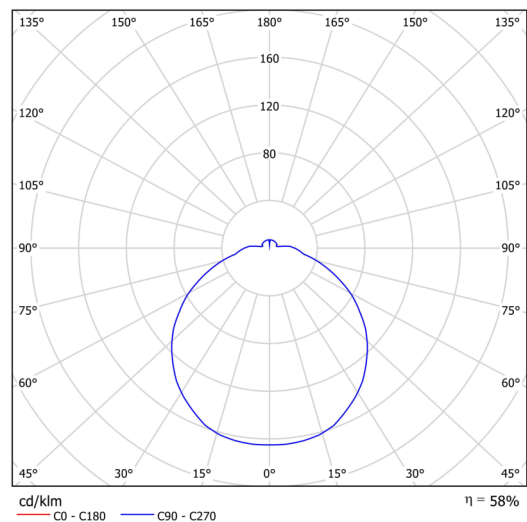
## Electrical data

|                    |                     |
|--------------------|---------------------|
| Power consumption  | 49 W                |
| Ingress Protection | IP44                |
| Socket             | LED modul           |
| terminal block     | snap terminal block |

## Luminous data

|                             |              |
|-----------------------------|--------------|
| Lum. flux of luminaire      | 4650 lm      |
| Lum. flux of light source   | 8210 lm      |
| Chromaticity temperature    | 4000 K       |
| Rated life time LED L80/B10 | 100000 hours |
| CRI                         | Ra80         |
| MacAdam                     | 3            |
| Blue light hazard           | Risk group 0 |

Eulum data for calculation programs are available at [www.osmont.cz](http://www.osmont.cz).



# TECHNICAL SHEET

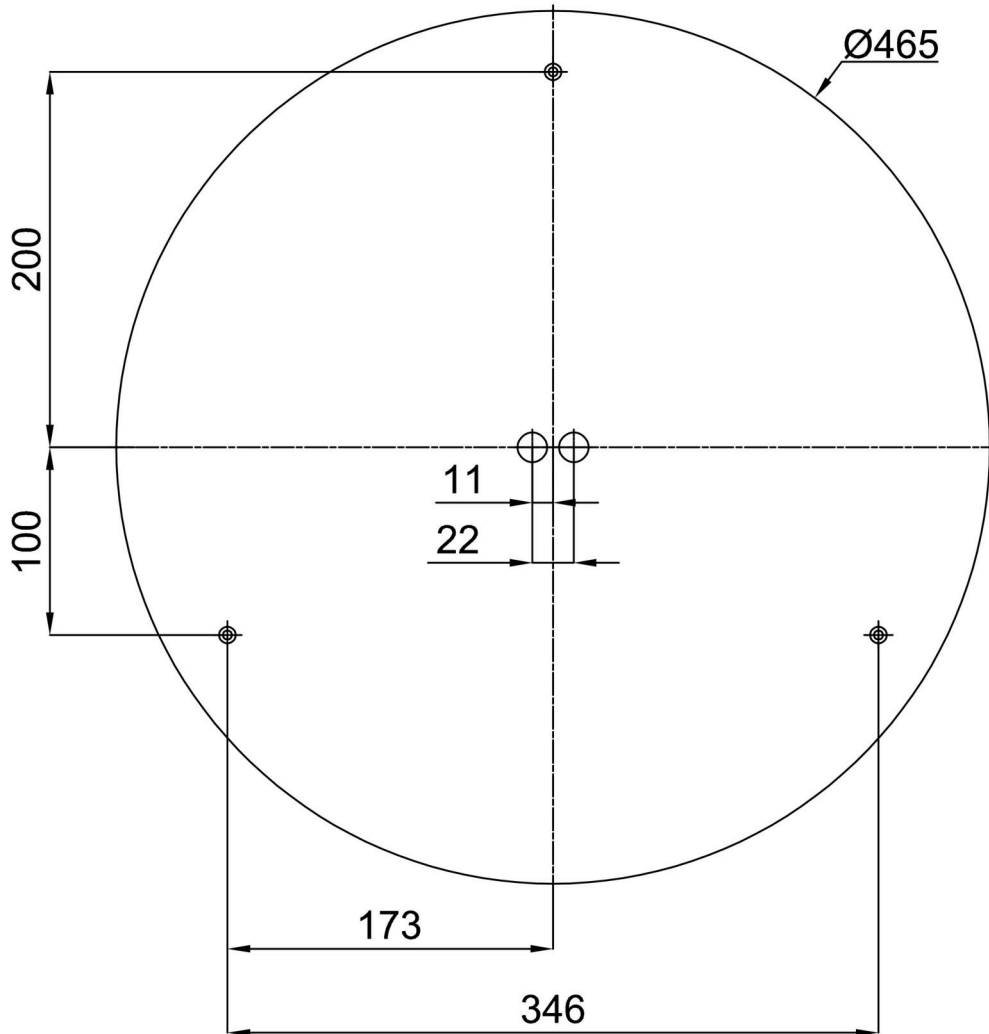


## Logistical data

|                   |               |
|-------------------|---------------|
| EAN               | 8591728228859 |
| Weight NTTO       | 4.1 Kg        |
| Weight BTTO       | 4.3 Kg        |
| Number of cartons | 1 pcs         |
| Warranty*         | 60 months     |



\*The warranty for the batteries is valid for 36 months from the date of purchase.

## Installation dimensions:



## Additional assortment:

## Decorative collar

| Product code | Name   | Color | Picture   | Drawing |
|--------------|--------|-------|---|---------|
| 30186        | SL540H |       |  |         |
| 30185        | SL540C |       |  |         |
| 30184        | SL540K |       |  |         |

## Lampshade

| Product code | Name | Color | Picture   | Drawing |
|--------------|------|-------|---|---------|
| 20116        | 426  | white |  |         |