



## AURA V8

---

IN-12BTV13/013\*

[WWW.OSMONT.CZ](http://WWW.OSMONT.CZ)

# AURA V8

Product code: AUR55330

Type: IN-12BTV13/013\*

Short description of the luminaire: White semi-recessed E27 light ON/OFF with TRIPLEX OPAL glass shade.



## Technical

Types of luminaires	Classic on/off
Mounting type	semi-recessed
Base material	steel
Shade material	three-layer glass TRIPLEX OPAL
Base color	white Ral9003
Shade color	white
Holding the shade	bayonet
Mounting location	ceiling/wall
Width	300 mm
Length	300 mm
Height	115 mm
Diameter	Ø 300 mm
mounting holes (diameter)	none
Installation wire (diameter)	2xØ16mm
Impact strength	IK01
Operating temperature	from -20°C to +30°C

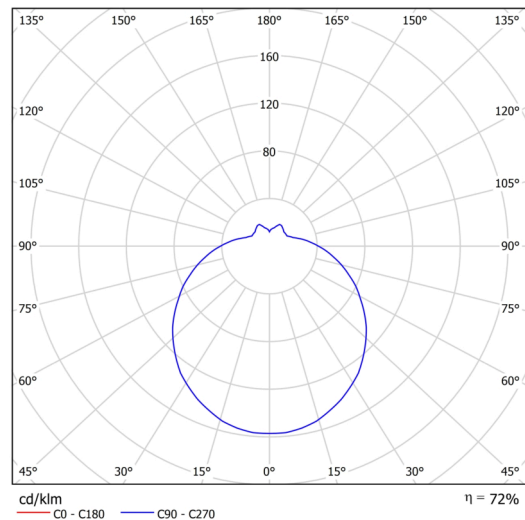
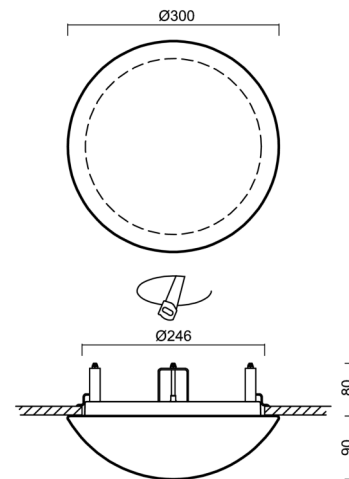
## Electric

Voltage type	AC
AC voltage	220 - 240 V
Power consumption	25 W
Ingress Protection	IP44
Socket	E27
terminal block	snap terminal block

## Luminous

Blue light hazard	Risk group 0
-------------------	--------------

Eulum data for calculation programs are available at [www.osmont.cz](http://www.osmont.cz).



Logistic

EAN	8591728553302
Weight NTTO	1.8 Kg
Weight BTTO	2 Kg
Number of cartons	1 pcs
Package volume	0.017 m <sup>3</sup>
Package 1 width	0.31 m
Package 1 length	0.31 m
Package 1 height	0.18 m
Warranty*	60 months

\*The warranty for the batteries is valid for 12 months from the date of purchase.

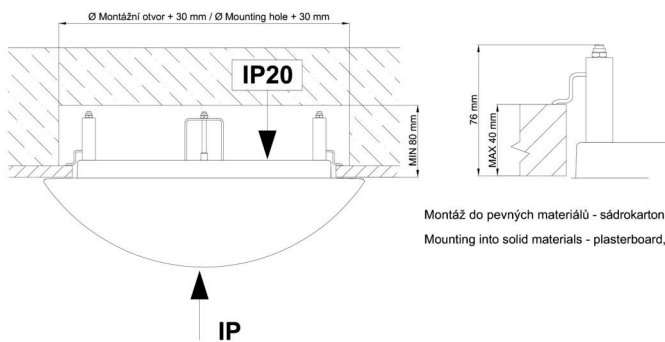
Installation dimensions:



Svítlidlo nesmí být z horní strany zakryto izolací.  
Luminaire must not be covered with insulating matting.




Rozměry dutiny pro vestavné svítidlo [mm]:  
Dimensions of cavity for recessed luminaire [mm]:



Montáž do pevných materiálů - sádkartón, dřevo.  
Mounting into solid materials - plasterboard, wood.

## Additional assortment:

## Lampshade

Product code	Name	Color	Description	Picture	Drawing
20008	013	white		 A 3D rendering of a white, oval-shaped lampshade. The shade is shown from a slightly elevated perspective, highlighting its smooth, curved surface and the subtle gradient of light and shadow across its top and sides.	