



AURA 7 IP

LED-1L12E700BD12/012 HF 4K#

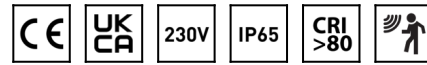
WWW.OSMONT.CZ

AURA 7 IP

Product code: AUR70859

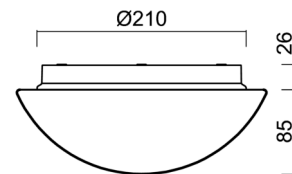
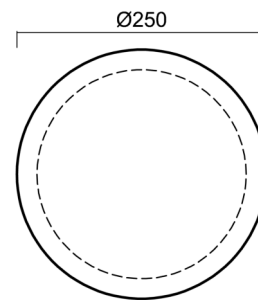
Type: LED-1L12E700BD12/012 HF 4K#

Short description of the luminaire: White surface-mounted changeable LED light with sensor with TRIPLEX OPAL glass shade



Technical

| | |
|------------------------------|--------------------------------|
| Types of luminaires | Sensor |
| Mounting type | surface mounted |
| Base material | polypropylene composite |
| Shade material | three-layer glass TRIPLEX OPAL |
| Base color | white Ral9003 |
| Shade color | white |
| Holding the shade | bayonet |
| Mounting location | ceiling/wall |
| Width | 250 mm |
| Length | 250 mm |
| Height | 110 mm |
| Diameter | ø 250 mm |
| mounting holes (diameter) | 3xø5mm |
| Installation wire (diameter) | 2xø16mm |
| Energy Class | D |
| Impact strength | IK01 |
| Operating temperature | from -20°C to +30°C |

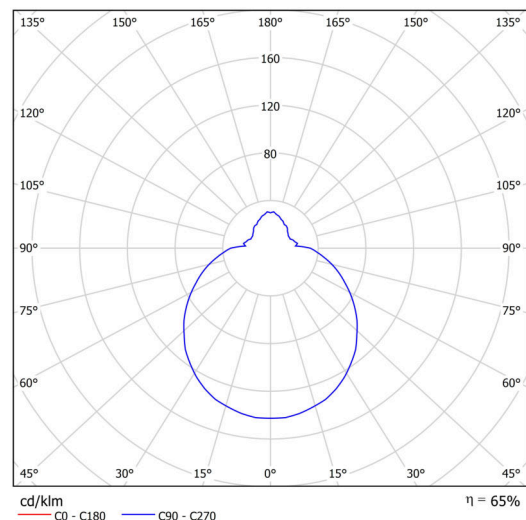


Electric

| | |
|-------------------------------------|---------------------|
| Power consumption | 10 W |
| Ingress Protection | IP65 |
| Socket | LED modul |
| Sensor | HF |
| terminal block | snap terminal block |
| Automatic circuit breaker type B10A | 50 pcs |
| Automatic circuit breaker type B16A | 78 pcs |
| Automatic circuit breaker type C10A | 84 pcs |
| Automatic circuit breaker type C16A | 130 pcs |

Luminous

| | |
|-----------------------------|--------------|
| Lum. flux of luminaire | 920 lm |
| Lum. flux of light source | 1410 lm |
| Luminaire efficacy | 92 lm/W |
| Temperature | 4000 K |
| Rated life time LED L80/B10 | 100000 hours |
| CRI | Ra80 |
| MacAdam | 3 |
| Blue light hazard | Risk group 0 |



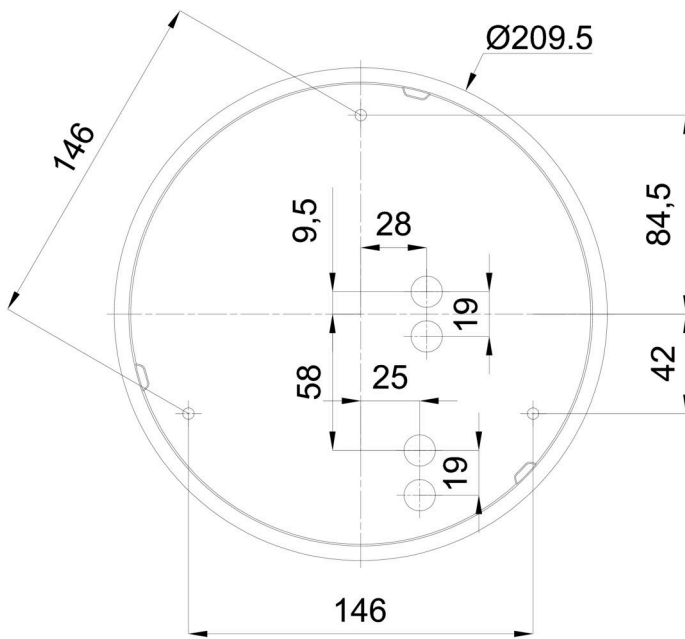
Eulum data for calculation programs are available at www.osmont.cz.

Logistic

| | |
|-------------------|----------------------|
| EAN | 8591728070847 |
| Weight NTTO | 1.3 Kg |
| Weight BTTO | 1.5 Kg |
| Number of cartons | 1 pcs |
| Package volume | 0.008 m ³ |
| Package 1 width | 0.27 m |
| Package 1 length | 0.26 m |
| Package 1 height | 0.11 m |
| Warranty* | 60 months |

*The warranty for the batteries is valid for 12 months from the date of purchase.

Installation dimensions:




Additional assortment:

Decorative collar

| Product code | Name | Color | Description | Picture | Drawing |
|--------------|---------|--------------------------|---------------------------------|--|---------|
| 30061 | B12/X14 | polished stainless steel | the collar is held by the shade |  | |
| 30060 | B12/X4 | white Ral9003 | the collar is held by the shade |  | |
| 30063 | B12/X13 | grey | the collar is held by the shade |  | |
| 30062 | B12/X12 | polished brass | the collar is held by the shade |  | |

Lampshade

| Product code | Name | Color | Description | Picture | Drawing |
|--------------|------|-------|-------------|--|---------|
| 20007 | 012 | white | |  | |