



AURA 6

LED-NZ1WBT11/011 4K#

WWW.OSMONT.CZ

AURA 6

Product code: AUR47095

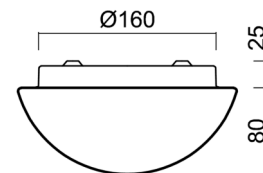
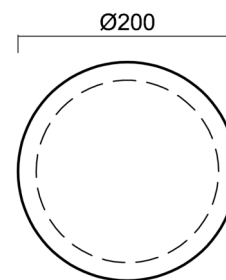
Type: LED-NZ1WBT11/011 4K#

Short description of the luminaire: White surface-mounted LED light with emergency unit with TRIPLEX OPAL glass shade.



Technical

Types of luminaires	Emergency
Mounting type	surface mounted
Base material	steel
Shade material	three-layer glass TRIPLEX OPAL
Base color	white Ral9003
Shade color	white
Holding the shade	bayonet
Mounting location	ceiling/wall
Width	200 mm
Length	200 mm
Height	105 mm
Diameter	ø 200 mm
mounting holes (diameter)	3xø5mm
Installation wire (diameter)	2xø16mm
Energy Class	D
Impact strength	IK01
Operating temperature	from 0°C to +30°C

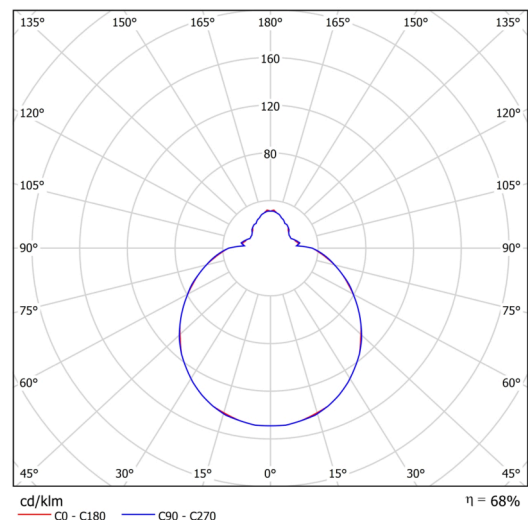


Electric

Power consumption	1 W
Ingress Protection	IP44
Socket	LED modul
Battery type	LiFePO4
Emergency time	1 hours
terminal block	snap terminal block
Automatic circuit breaker type B10A	90 pcs
Automatic circuit breaker type B16A	130 pcs
Automatic circuit breaker type C10A	180 pcs
Automatic circuit breaker type C16A	260 pcs

Luminous

Lum. flux of luminaire	110 lm
Lum. flux of light source	170 lm
Lum. flux of light source in emergency mode	170 lm
Luminaire efficacy	110 lm/W
Temperature	4000 K
Rated life time LED L80/B10	100000 hours
CRI	Ra80
MacAdam	3
Blue light hazard	Risk group 0



TECHNICAL SHEET



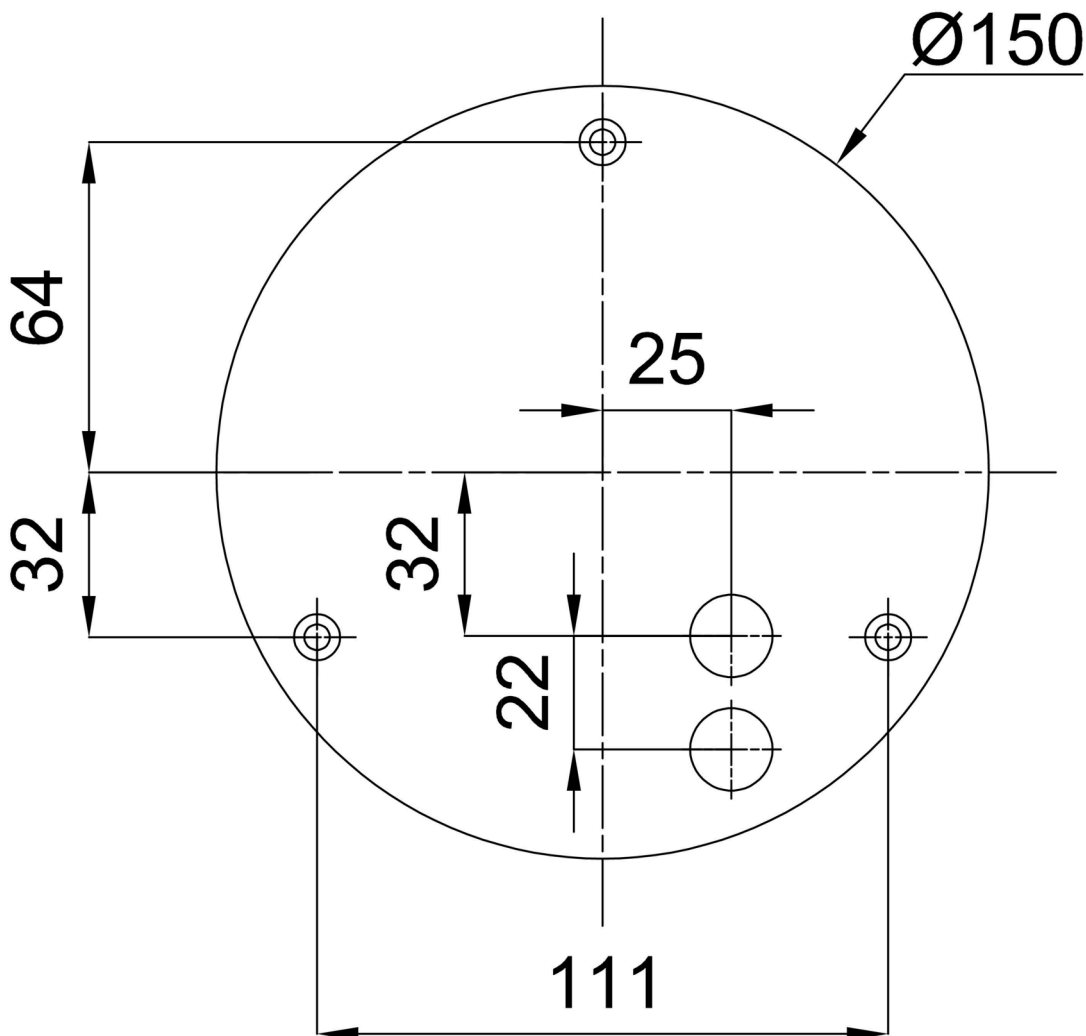
Eulum data for calculation programs are available at www.osmont.cz.

Logistic

EAN	8591728066390
Weight NTTO	1.3 Kg
Weight BTTO	1.6 Kg
Number of cartons	1 pcs
Package volume	0.005 m ³
Package 1 width	0.225 m
Package 1 length	0.21 m
Package 1 height	0.105 m
Warranty*	60 months



*The warranty for the batteries is valid for 12 months from the date of purchase.

Installation dimensions:



Additional assortment:

Decorative collar

Product code	Name	Color	Description	Picture	Drawing
30049	B11/X14	polished stainless steel	the collar is held by the shade		
30048	B11/X4	white Ral9003	the collar is held by the shade		
30051	B11/X13	grey	the collar is held by the shade		
30050	B11/X12	polished brass	the collar is held by the shade		

Lampshade

Product code	Name	Color	Description	Picture	Drawing
20006	011	white		