



## AURA 3

---

LED-1L14EMP700K63/062 NK3HST 4K#

[WWW.OSMONT.CZ](http://WWW.OSMONT.CZ)

# AURA 3

Product code: AUR61510

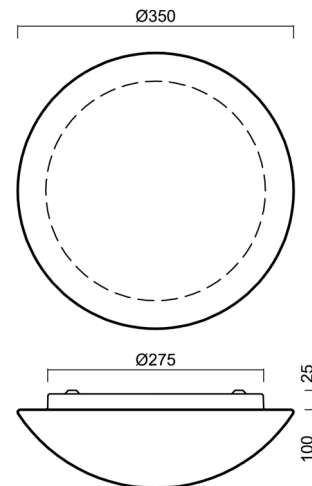
Type: LED-1L14EMP700K63/062 NK3HST 4K#

Short description of the luminaire: White colour | ceiling or wall LED light with emergency backup combined ( with Self-test) | TRIPLEX OPAL hand blown glass shade|



## Technical

Types of luminaires	Emergency combined
Mounting type	surface mounted
Base material	steel
Shade material	three-layer glass TRIPLEX OPAL
Base color	white Ral9003
Shade color	white
Holding the shade	folding system
Mounting location	ceiling/wall
Width	350 mm
Length	350 mm
Height	120 mm
mounting holes (diameter)	4xØ5mm
Cable entrance	2xØ16mm
Energy Class	D
Impact strength	IK01
Operating temperature	from 0°C to +30°C



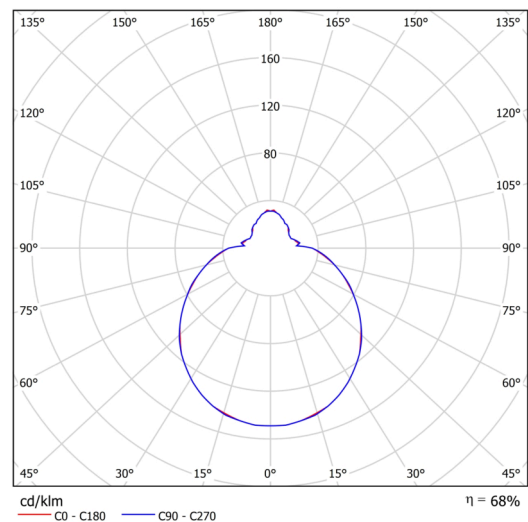
## Electric

Power consumption	18 W
Ingress Protection	IP43
Socket	LED modul
Battery type	LiFePO4
Emergency time	3 hours
terminal block	snap terminal block

## Luminous

Lum. flux of luminaire	1910 lm
Lum. flux of light source	2810 lm
Lum. flux of light source in emergency mode	200 lm
Temperature	4000 K
Rated life time LED L80/B10	100000 hours
CRI	Ra80
MacAdam	3
Blue light hazard	Risk group 0

Eulum data for calculation programs are available at [www.osmont.cz](http://www.osmont.cz).



Logistic

EAN	8591728149253
Weight NTTO	2.8 Kg
Weight BTTO	3.1 Kg
Number of cartons	1 pcs
Package volume	0.017 m <sup>3</sup>
Package 1 width	0.355 m
Package 1 length	0.375 m
Package 1 height	0.13 m
Warranty*	60 months




\*The warranty for the batteries is valid for 12 months from the date of purchase.

Installation dimensions:



## Additional assortment:

## Decorative collar

Product code	Name	Color	Description	Picture	Drawing
30128	K63/DL15	brushed stainless steel	příslušenství		
30127	K63/DL14	polished stainless steel	příslušenství		
30126	K63/DL4	white Ral9003	příslušenství		

## Lampshade

Product code	Name	Color	Description	Picture	Drawing
20003	062	white	příslušenství	