

## ARAKIS LE3

---

LED-1L16E500ZLE86/417/L100 C DALI 3K#

[WWW.OSMONT.CZ](http://WWW.OSMONT.CZ)

# ARAKIS LE3

Product code: ARA67495

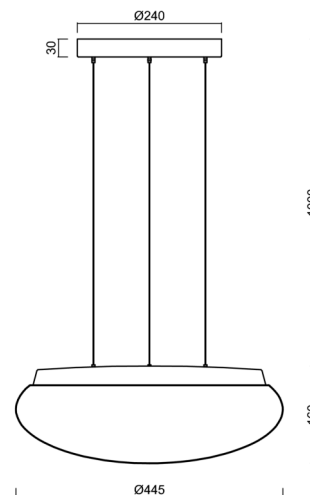
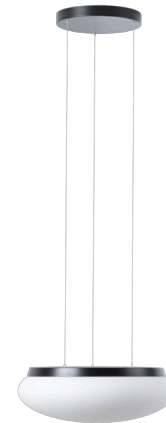
Type: LED-1L16E500ZLE86/417/L100 C DALI 3K#

Short description of the luminaire: Black pendant LED light DALI with TRIPLEX OPAL glass shade.



## Technical

|                              |                                   |
|------------------------------|-----------------------------------|
| Types of luminaires          | Dimmable                          |
| Mounting type                | Suspended - SELV wire (cableless) |
| Base material                | steel                             |
| Shade material               | three-layer glass TRIPLEX OPAL    |
| Base color                   | black Ral9005                     |
| Shade color                  | white                             |
| Holding the shade            | folding system                    |
| Mounting location            | ceiling                           |
| Width                        | 445 mm                            |
| Length                       | 445 mm                            |
| Height                       | 160 mm                            |
| Diameter                     | ø 445 mm                          |
| Hinge length                 | 1000 mm                           |
| mounting holes (diameter)    | 3xø5mm                            |
| Installation wire (diameter) | 2xø16mm                           |
| Energy Class                 | D                                 |
| Impact strength              | IK01                              |
| Operating temperature        | from -20°C to +30°C               |

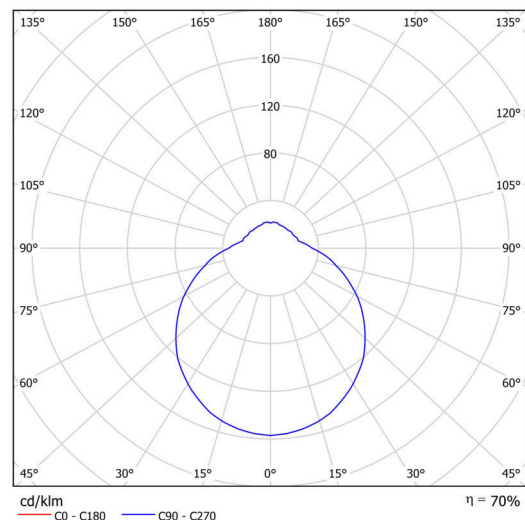


## Electric

|                                     |                     |
|-------------------------------------|---------------------|
| Power consumption                   | 24 W                |
| Ingress Protection                  | IP40                |
| Socket                              | LED modul           |
| terminal block                      | snap terminal block |
| Automatic circuit breaker type B10A | 31 pcs              |
| Automatic circuit breaker type B16A | 50 pcs              |
| Automatic circuit breaker type C10A | 52 pcs              |
| Automatic circuit breaker type C16A | 85 pcs              |

## Luminous

|                             |              |
|-----------------------------|--------------|
| Lum. flux of luminaire      | 2480 lm      |
| Lum. flux of light source   | 3750 lm      |
| Luminaire efficacy          | 103 lm/W     |
| Temperature                 | 3000 K       |
| Rated life time LED L80/B10 | 100000 hours |
| CRI                         | Ra80         |
| MacAdam                     | 3            |
| Blue light hazard           | Risk group 0 |



Eulum data for calculation programs are available at

Logistic

|                   |                      |
|-------------------|----------------------|
| EAN               | 8591728064013        |
| Weight NTTO       | 5.9 Kg               |
| Weight BTTO       | 6.5 Kg               |
| Number of cartons | 1 pcs                |
| Package volume    | 0.065 m <sup>3</sup> |
| Package 1 width   | 0.52 m               |
| Package 1 length  | 0.52 m               |
| Package 1 height  | 0.24 m               |
| Warranty*         | 60 months            |


\*The warranty for the batteries is valid for 12 months from the date of purchase.

Installation dimensions:



## Additional assortment:

## Lampshade

| Product code | Name | Color | Description | Picture  | Drawing |
|--------------|------|-------|-------------|--|---------|
| 20127        | 417  | white |             |  |         |