



APUS 3

LED-1L11E700KN03/403 3K#

WWW.OSMONT.CZ

APUS 3

Product code: APU67097

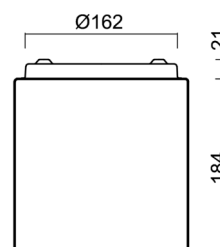
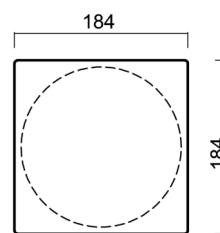
Type: LED-1L11E700KN03/403 3K#

Short description of the luminaire: White surface-mounted LED light ON/OFF with TRIPLEX OPAL glass shade.



Technical

Types of luminaires	Classic on/off
Mounting type	surface mounted
Base material	steel
Shade material	three-layer glass TRIPLEX OPAL
Base color	white Ral9003
Shade color	white
Holding the shade	folding system
Mounting location	ceiling/wall
Width	184 mm
Length	184 mm
Height	200 mm
mounting holes (diameter)	4xØ5mm
Installation wire (diameter)	2xØ16mm
Energy Class	D
Impact strength	IK01
Operating temperature	from -20°C to +30°C

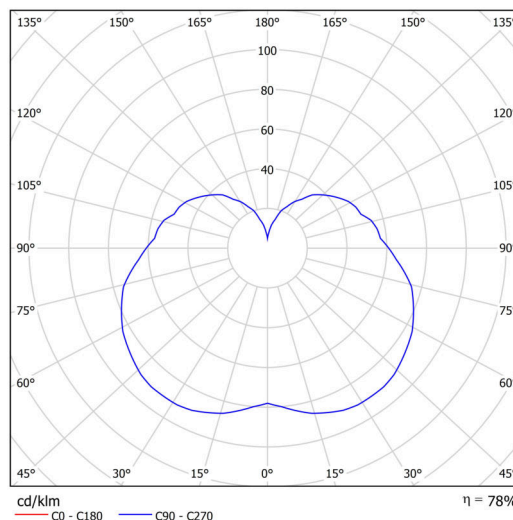


Electric

Power consumption	7 W
Ingress Protection	IP44
Socket	LED modul
terminal block	snap terminal block
Automatic circuit breaker type B10A	50 pcs
Automatic circuit breaker type B16A	78 pcs
Automatic circuit breaker type C10A	84 pcs
Automatic circuit breaker type C16A	130 pcs

Luminous

Lum. flux of luminaire	790 lm
Lum. flux of light source	1010 lm
Luminaire efficacy	112 lm/W
Temperature	3000 K
Rated life time LED L80/B10	100000 hours
CRI	Ra80
MacAdam	3
Blue light hazard	Risk group 0



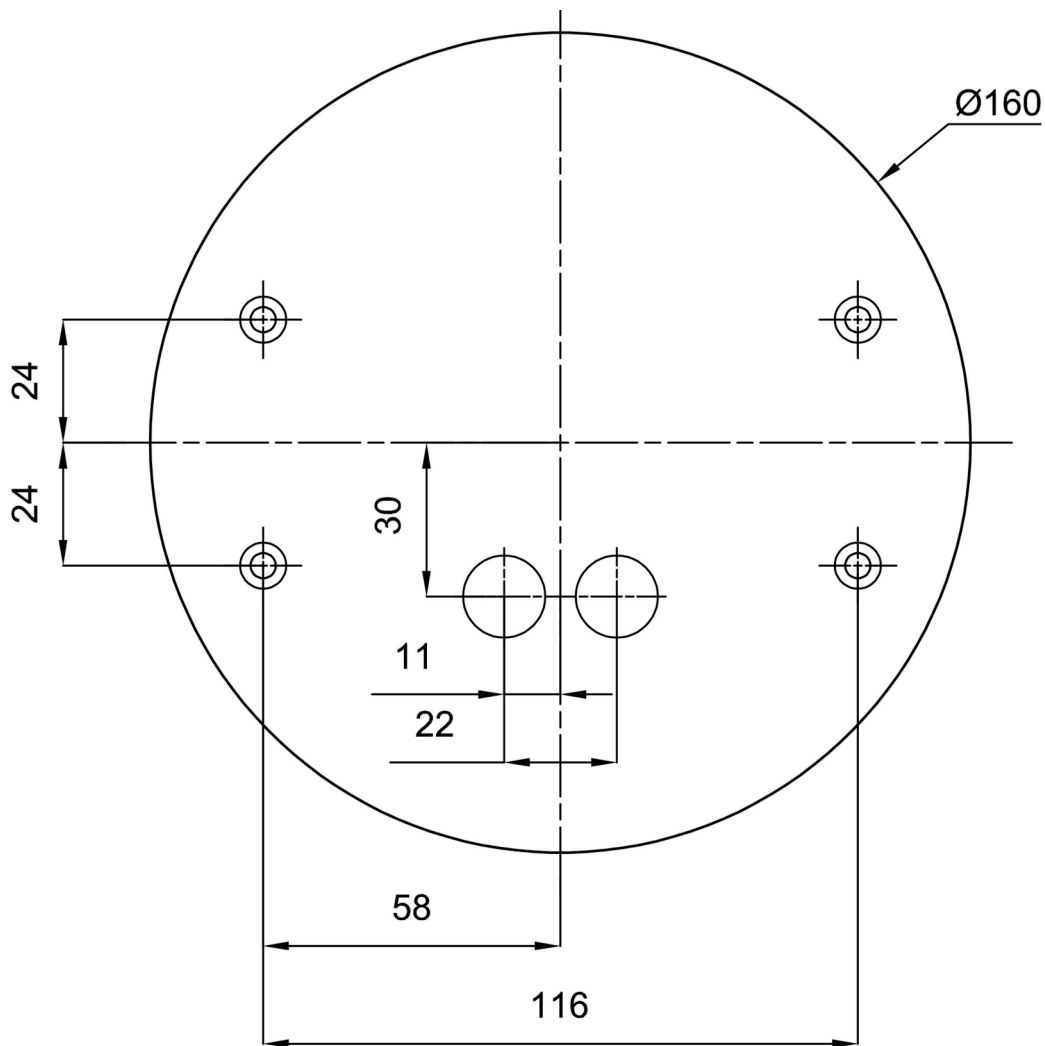
Eulum data for calculation programs are available at www.osmont.cz.

Logistic

EAN	8591728063580
Weight NTTO	2.35 Kg
Weight BTTO	2.5 Kg
Number of cartons	1 pcs
Package volume	0.013 m ³
Package 1 width	0.23 m
Package 1 length	0.235 m
Package 1 height	0.24 m
Warranty*	60 months


*The warranty for the batteries is valid for 12 months from the date of purchase.

Installation dimensions:



Additional assortment:

Decorative collar

Product code	Name	Color	Description	Picture	Drawing
33510	KN03/KP C	black Ral9005	the collar is held by the base		

Lampshade

Product code	Name	Color	Description	Picture	Drawing
20119	403	white		