



## APUS 3

---

IN-12KN03/403\*

[WWW.OSMONT.CZ](http://WWW.OSMONT.CZ)

# APUS 3

Product code: APU52161

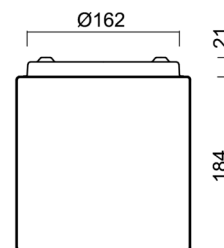
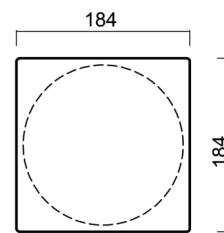
Type: IN-12KN03/403\*

Short description of the luminaire: White surface-mounted E27 light ON/OFF with TRIPLEX OPAL glass shade.



## Technical

Types of luminaires	Classic on/off
Mounting type	surface mounted
Base material	steel
Shade material	three-layer glass TRIPLEX OPAL
Base color	white Ral9003
Shade color	white
Holding the shade	folding system
Mounting location	ceiling/wall
Width	184 mm
Length	184 mm
Height	200 mm
mounting holes (diameter)	4xØ5mm
Installation wire (diameter)	2xØ16mm
Impact strength	IK01
Operating temperature	from -20°C to +30°C



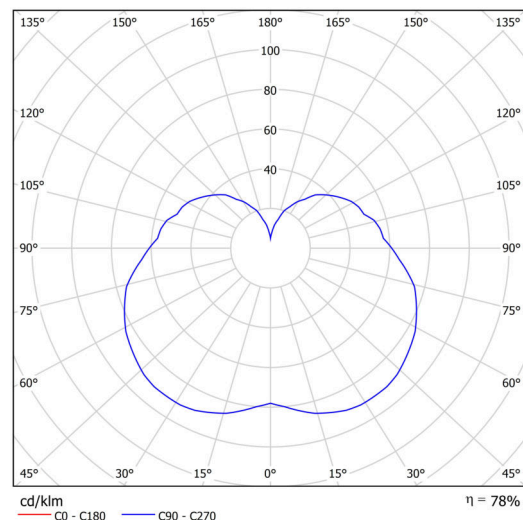
## Electric

Voltage type	AC
AC voltage	220 - 240 V
Power consumption	25 W
Ingress Protection	IP44
Socket	E27
terminal block	snap terminal block

## Luminous

Blue light hazard	Risk group 0
-------------------	--------------

Eulum data for calculation programs are available at [www.osmont.cz](http://www.osmont.cz).

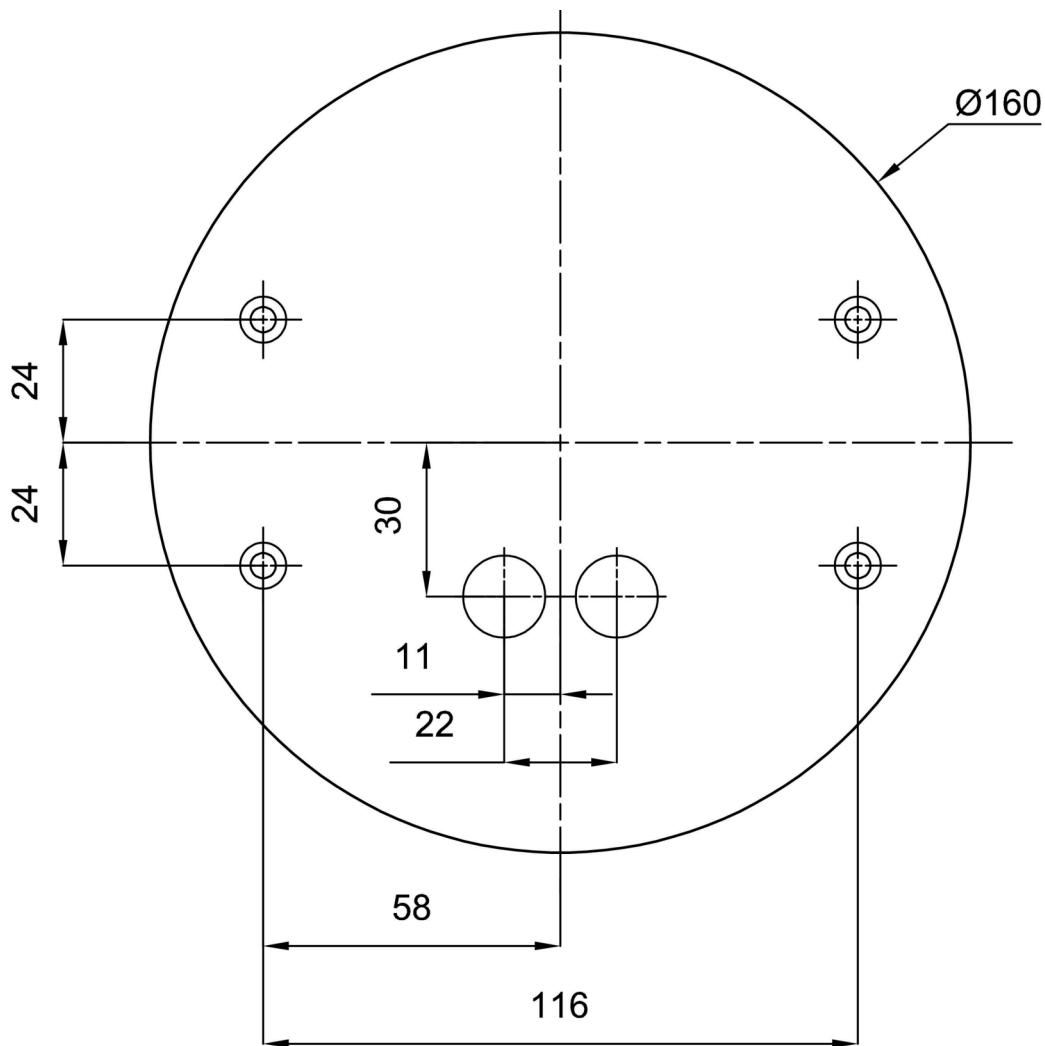


Logistic

EAN	8591728521615
Weight NTTO	2.3 Kg
Weight BTTO	2.5 Kg
Number of cartons	1 pcs
Package volume	0.013 m <sup>3</sup>
Package 1 width	0.23 m
Package 1 length	0.235 m
Package 1 height	0.24 m
Warranty*	60 months


\*The warranty for the batteries is valid for 12 months from the date of purchase.

Installation dimensions:



## Additional assortment:

## Decorative collar

Product code	Name	Color	Description	Picture	Drawing
33510	KN03/KP C	black Ral9005	the collar is held by the base		

## Lampshade

Product code	Name	Color	Description	Picture	Drawing
20119	403	white		