



APUS 2

IN-12KN02/402*

WWW.OSMONT.CZ

APUS 2

Product code: APU52160

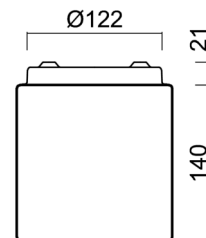
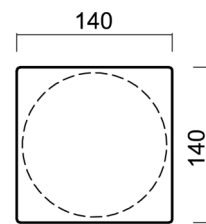
Type: IN-12KN02/402*

Short description of the luminaire: White surface-mounted E27 light ON/OFF with TRIPLEX OPAL glass shade.



Technical

Types of luminaires	Classic on/off
Mounting type	surface mounted
Base material	steel
Shade material	three-layer glass TRIPLEX OPAL
Base color	white Ral9003
Shade color	white
Holding the shade	folding system
Mounting location	ceiling/wall
Width	140 mm
Length	140 mm
Height	156 mm
mounting holes (diameter)	2xØ5mm
Installation wire (diameter)	1xØ14mm
Impact strength	IK01
Operating temperature	from -20°C to +30°C



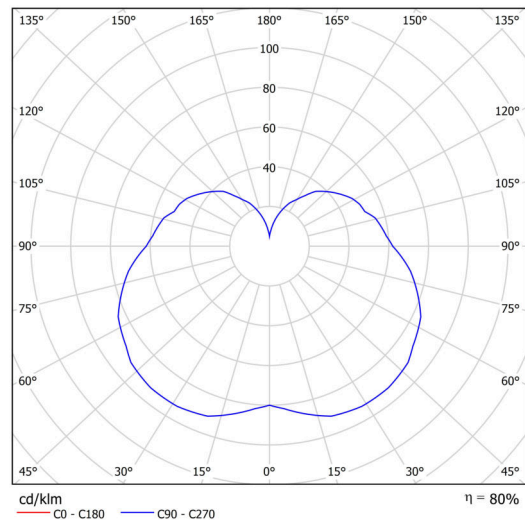
Electric

Voltage type	AC
AC voltage	220 - 240 V
Power consumption	25 W
Ingress Protection	IP44
Socket	E27
terminal block	screw terminal block

Luminous

Blue light hazard	Risk group 0
-------------------	--------------

Eulum data for calculation programs are available at www.osmont.cz.

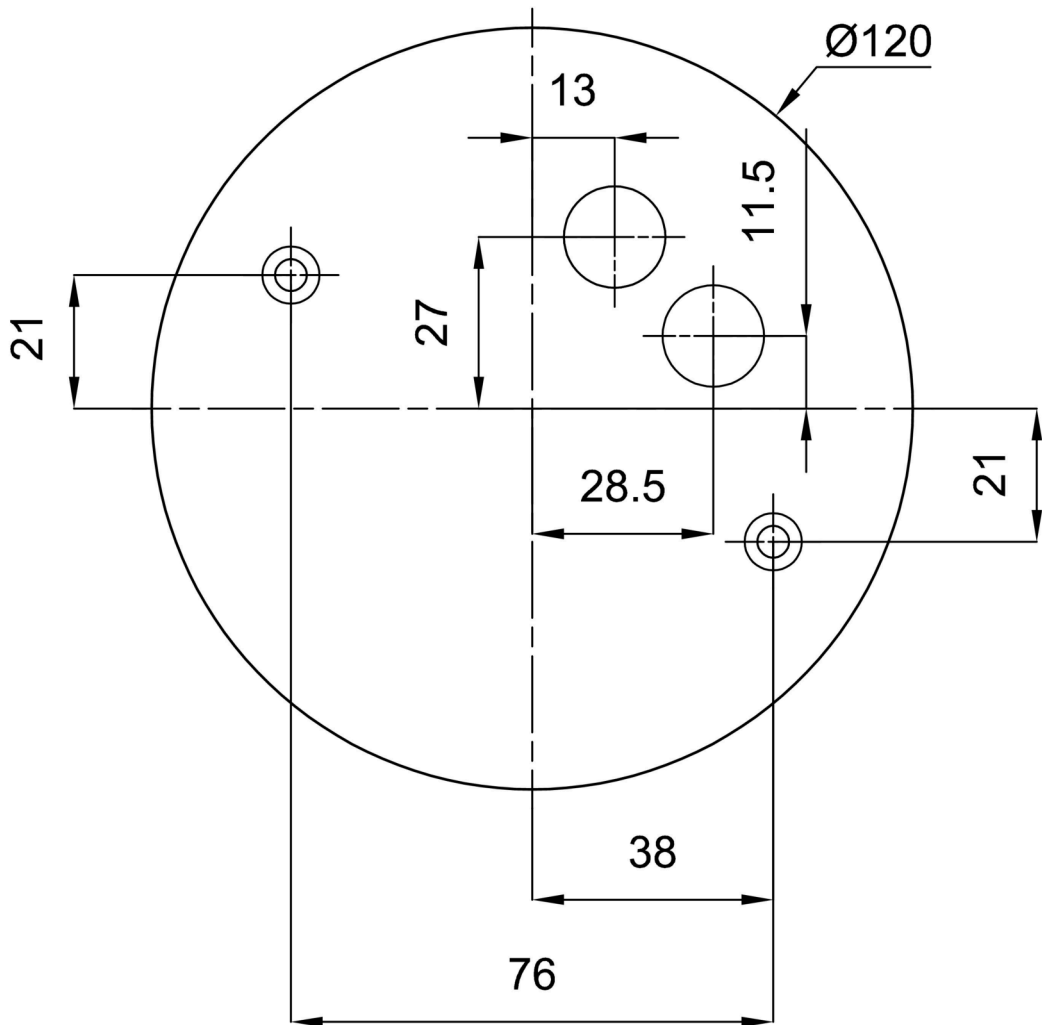


Logistic

EAN	8591728521608
Weight NTTO	1.2 Kg
Weight BTTO	1.4 Kg
Number of cartons	1 pcs
Package volume	0.004 m ³
Package 1 width	0.15 m
Package 1 length	0.155 m
Package 1 height	0.18 m
Warranty*	60 months

*The warranty for the batteries is valid for 12 months from the date of purchase.

Installation dimensions:



Additional assortment:

Lampshade

Product code	Name	Color	Description	Picture	Drawing
20118	402	white		