

ANCHA 2

IN-12LN/093 SD*

WWW.OSMONT.CZ

ANCHA 2

Product code: ANC40008

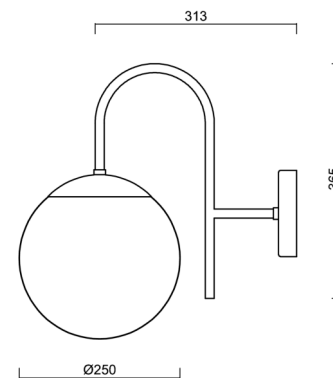
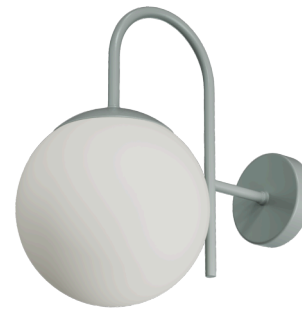
Type: IN-12LN/093 SD*

Short description of the luminaire: Grey color | surface-mounted E27 light | ON/OFF | TRIPLEX OPAL glass shade with matt surface



Technical

Types of luminaires	Classic on/off
Mounting type	surface mounted
Base material	steel
Shade material	three-layer glass TRIPLEX OPAL
Base color	grey Ral7040
Shade color	white
Holding the shade	steel holder
Mounting location	wall
Width	250 mm
Length	313 mm
Height	365 mm
Diameter	ø 250 mm
mounting holes (diameter)	3xø5mm
Installation wire (diameter)	2xø16mm
Impact strength	IK01
Operating temperature	from -20°C to +30°C



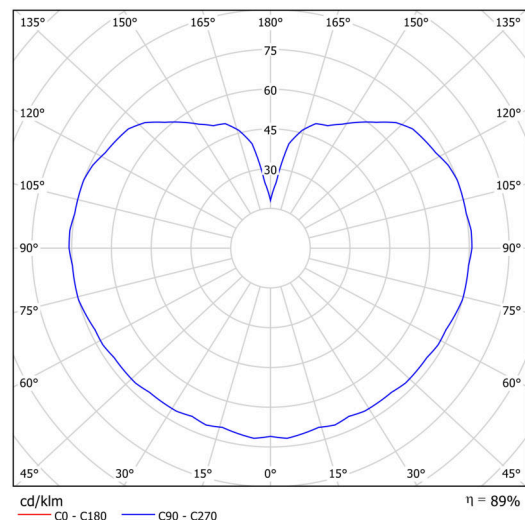
Electric

Power consumption	25 W
Ingress Protection	IP40
Socket	E27
terminal block	snap terminal block

Luminous

Blue light hazard	Risk group 0
-------------------	--------------

Eulum data for calculation programs are available at www.osmont.cz.

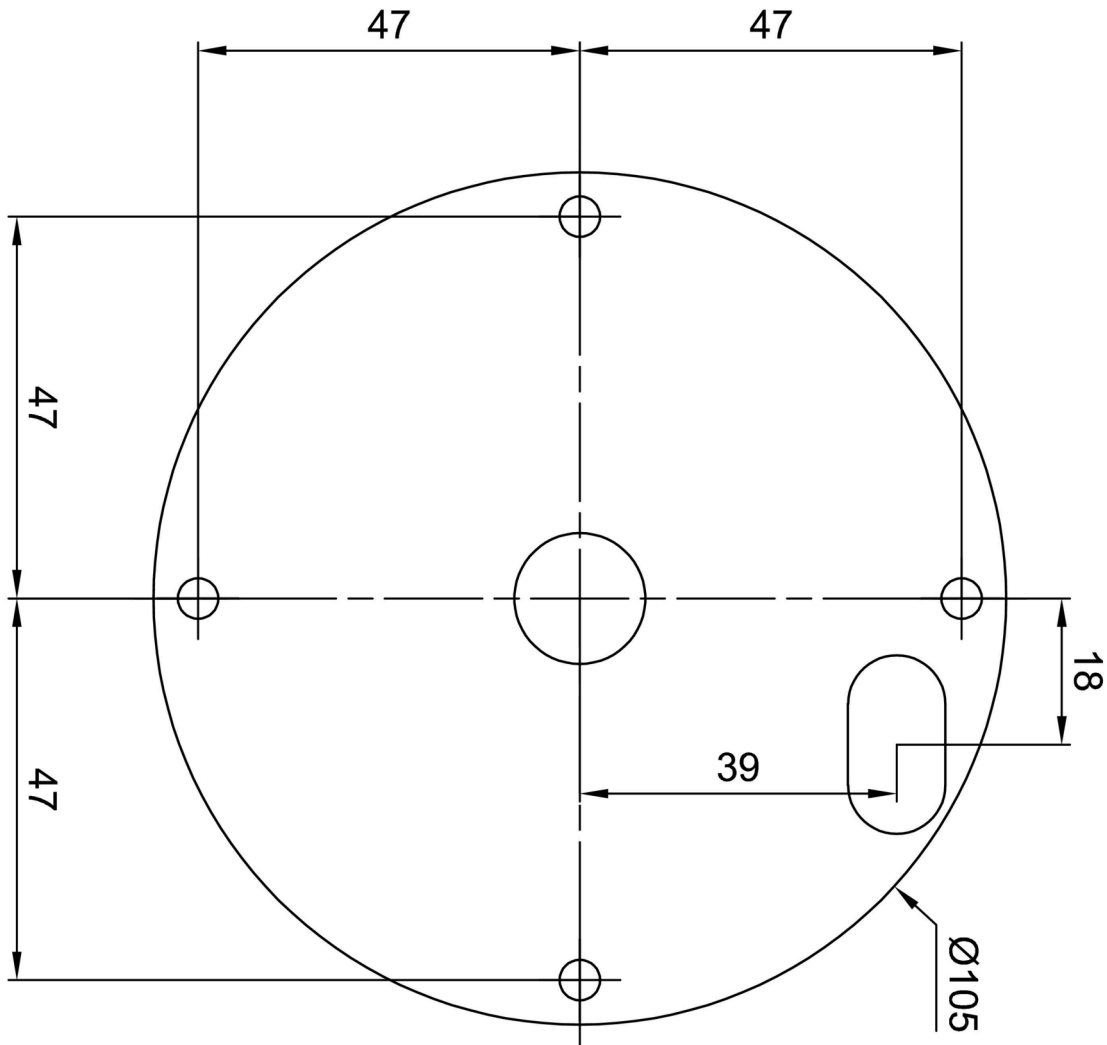


Logistic

EAN	8591728063528
Number of cartons	1 pcs
Warranty*	60 months

*The warranty for the batteries is valid for 12 months from the date of purchase.

Installation dimensions:



Additional assortment:

Lampshade

Product code	Name	Color	Description	Picture	Drawing
20208	093	white		