



## ALKOR P3

---

LED-5L06E300ZKN03P/407/L100 C 4K#

[WWW.OSMONT.CZ](http://WWW.OSMONT.CZ)

# ALKOR P3

Product code: ALK67617

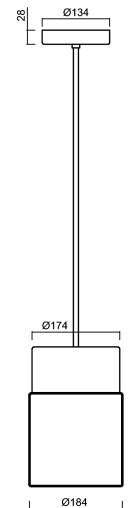
Type: LED-5L06E300ZKN03P/407/L100 C 4K#

Short description of the luminaire: Black colour | pendant LED light ON/OFF | TRIPLEX OPAL hand blown glass shade| rod pendant 100 cm |



## Technical data

Types of luminaires	Classic on/off
Mounting type	Suspended - rod
Base material	steel
Shade material	three-layer glass TRIPLEX OPAL
Base color	black Ral9005
Shade color	white
Holding the shade	folding system
Mounting location	ceiling
Width	184 mm
Length	184 mm
Height	276 mm
Diameter	ø 184 mm
Suspension length	1000 mm
mounting holes (diameter)	3xø5mm
Cable entrance	2xø16mm
Energy Class	D
Impact strength	IK01
Operating temperature	from -20°C to +30°C

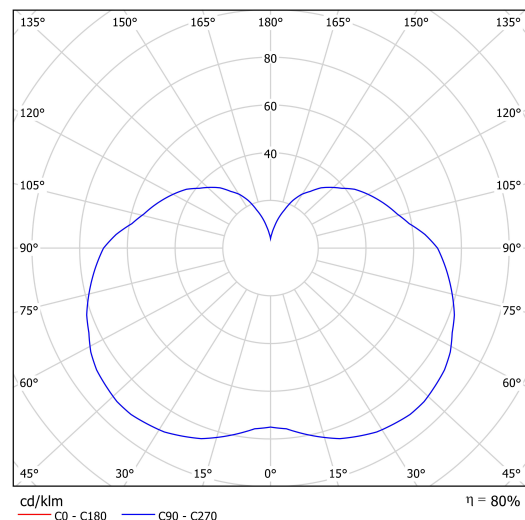


## Electrical data

Power consumption	14 W
Ingress Protection	IP40
Socket	LED modul
terminal block	screw terminal block
Automatic circuit breaker type B10A	72 pcs
Automatic circuit breaker type B16A	116 pcs
Automatic circuit breaker type C10A	72 pcs
Automatic circuit breaker type C16A	116 pcs
Number of LED drivers	1

## Luminous data

Lum. flux of luminaire	2090 lm
Lum. flux of light source	2380 lm
Luminaire efficacy	149 lm/W
Chromaticity temperature	4000 K
Rated life time LED L80/B10	100000 hours
CRI	Ra80
MacAdam	3
Blue light hazard	Risk group 0



# TECHNICAL SHEET



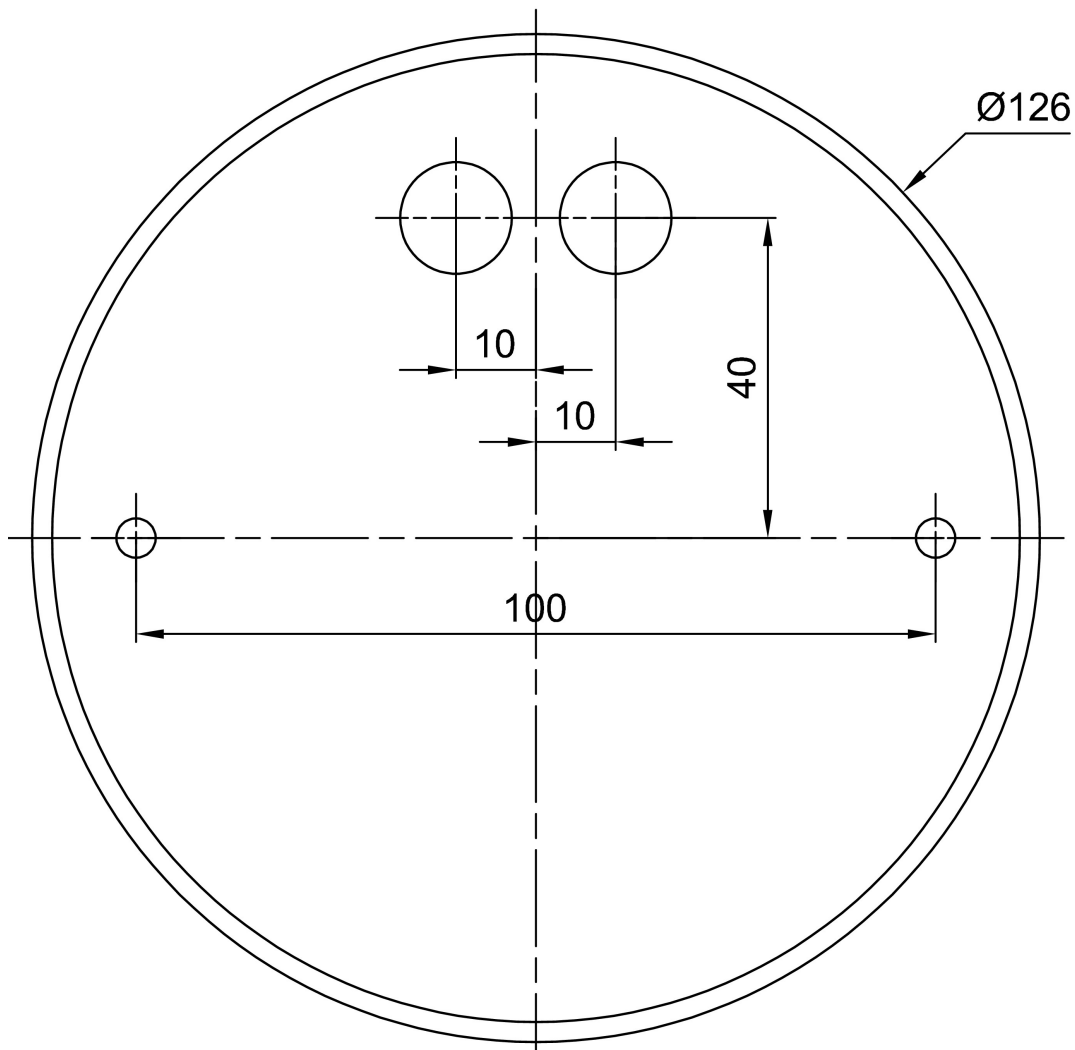
Eulum data for calculation programs are available at [www.osmont.cz](http://www.osmont.cz).

## Logistical data

EAN	8591728228323
Warranty*	60 months

\*The warranty for the batteries is valid for 36 months from the date of purchase.

## Installation dimensions:



Additional assortment:

Lampshade

Product code	Name	Color	Picture	Drawing
20122	407	white	