



## ALKOR P3

---

IN-12ZKN03P/407/L100 MS\*

[WWW.OSMONT.CZ](http://WWW.OSMONT.CZ)

# ALKOR P3

Product code: ALK52181

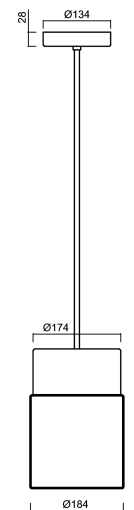
Type: IN-12ZKN03P/407/L100 MS\*

Short description of the luminaire: Brass polished | pendant E27 light ON/OFF | TRIPLEX OPAL hand blown glass shade| rod pendant 100 cm |



## Technical data

Types of luminaires	Classic on/off
Mounting type	Suspended - rod
Base material	brass
Shade material	three-layer glass TRIPLEX OPAL
Base color	polished brass
Shade color	white
Holding the shade	folding system
Mounting location	ceiling
Width	184 mm
Length	184 mm
Height	276 mm
Diameter	ø 184 mm
Suspension length	1000 mm
mounting holes (diameter)	3xø5mm
Cable entrance	2xø16mm
Impact strength	IK01
Operating temperature	from -20°C to +30°C



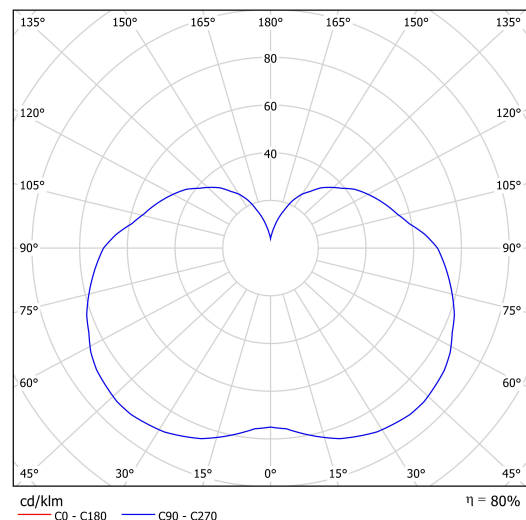
## Electrical data

Power consumption	25 W
Ingress Protection	IP40
Socket	E27
terminal block	screw terminal block

## Luminous data

Blue light hazard	Risk group 0
-------------------	--------------

Eulum data for calculation programs are available at [www.osmont.cz](http://www.osmont.cz).



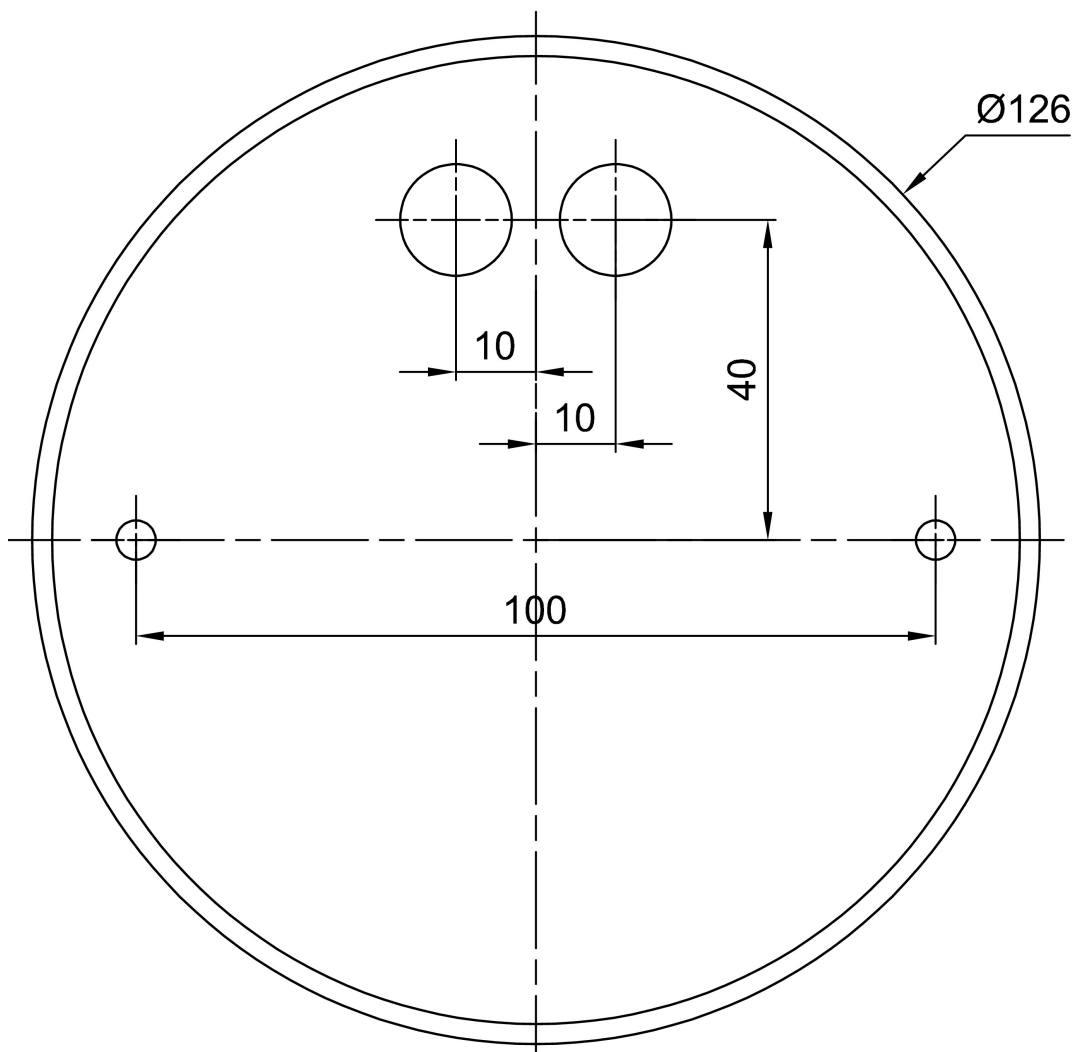
# TECHNICAL SHEET

## Logistical data

EAN	8591728227937
Warranty*	60 months

\*The warranty for the batteries is valid for 36 months from the date of purchase.

## Installation dimensions:



## Additional assortment:

## Lampshade

Product code	Name	Color	Picture	Drawing
20122	407	white	