



## ALKOR P3

---

IN-12ZKN03P/407/L100 B\*

[WWW.OSMONT.CZ](http://WWW.OSMONT.CZ)

# ALKOR P3

Product code: ALK52179

Type: IN-12ZKN03P/407/L100 B\*

Short description of the luminaire: White colour | pendant E27 light ON/OFF | TRIPLEX OPAL hand blown glass shade| rod pendant 100 cm |



## Technical data

|                           |                                |
|---------------------------|--------------------------------|
| Types of luminaires       | Classic on/off                 |
| Mounting type             | Suspended - rod                |
| Base material             | steel                          |
| Shade material            | three-layer glass TRIPLEX OPAL |
| Base color                | white Ral9003                  |
| Shade color               | white                          |
| Holding the shade         | folding system                 |
| Mounting location         | ceiling                        |
| Width                     | 184 mm                         |
| Length                    | 184 mm                         |
| Height                    | 276 mm                         |
| Diameter                  | ø 184 mm                       |
| Suspension length         | 1000 mm                        |
| mounting holes (diameter) | 3xø5mm                         |
| Cable entrance            | 2xø16mm                        |
| Impact strength           | IK01                           |
| Operating temperature     | from -20°C to +30°C            |

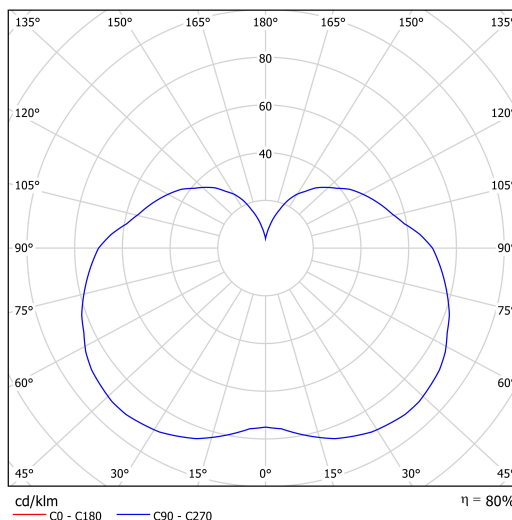
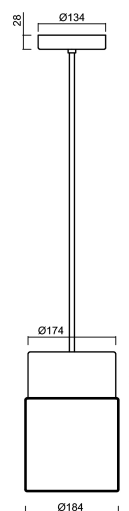
## Electrical data

|                    |                      |
|--------------------|----------------------|
| Power consumption  | 25 W                 |
| Ingress Protection | IP40                 |
| Socket             | E27                  |
| terminal block     | screw terminal block |

## Luminous data

|                   |              |
|-------------------|--------------|
| Blue light hazard | Risk group 0 |
|-------------------|--------------|

Eulum data for calculation programs are available at [www.osmont.cz](http://www.osmont.cz).



# TECHNICAL SHEET

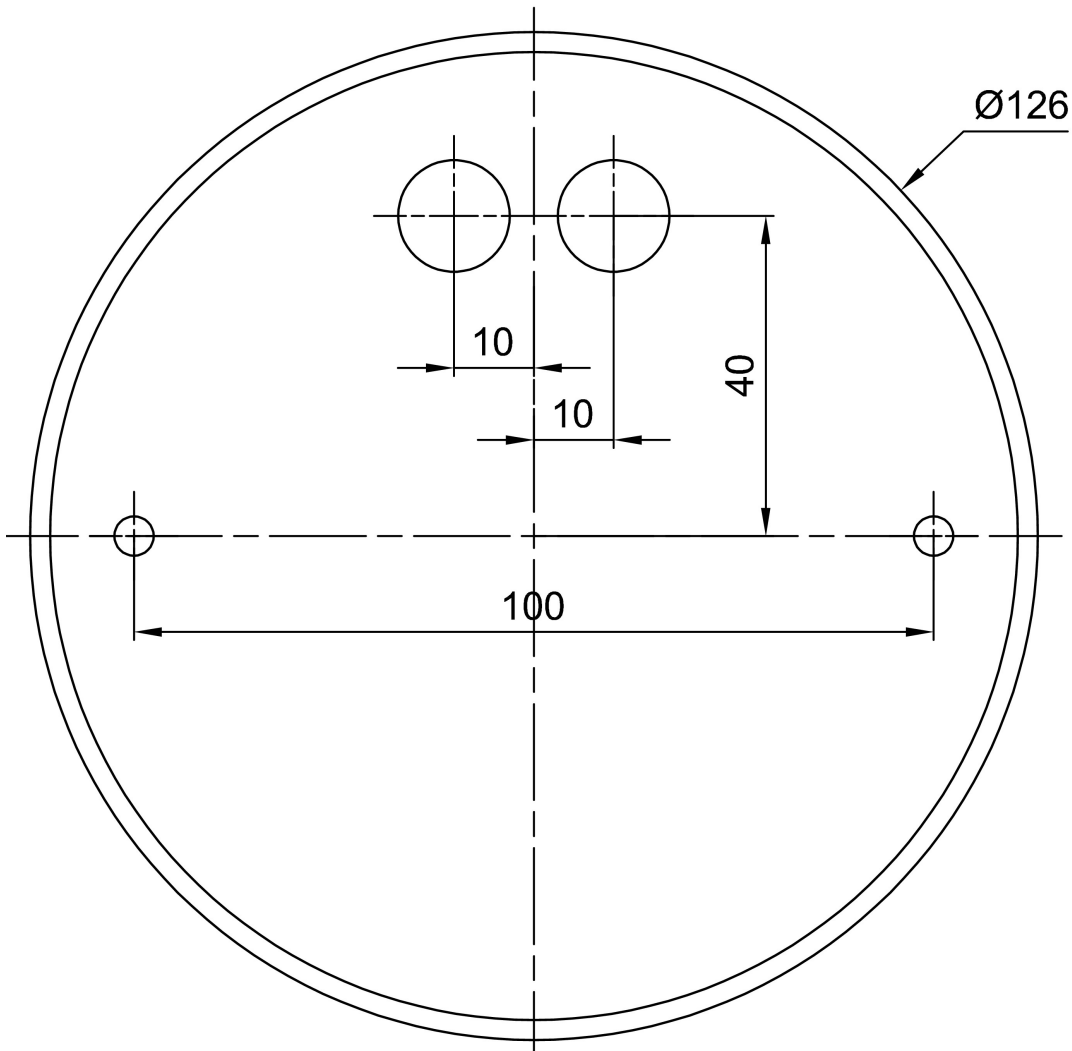


## Logistical data

|           |               |
|-----------|---------------|
| EAN       | 8591728227913 |
| Warranty* | 60 months     |


\*The warranty for the batteries is valid for 36 months from the date of purchase.

## Installation dimensions:



## Additional assortment:

## Lampshade

| Product code | Name | Color | Picture   | Drawing |
|--------------|------|-------|---|---------|
| 20122        | 407  | white |  |         |