



## ALKOR P2

---

IN-12ZKN02P/406/L100 B\*

[WWW.OSMONT.CZ](http://WWW.OSMONT.CZ)

# ALKOR P2

Product code: ALK52174

Type: IN-12ZKN02P/406/L100 B\*

Short description of the luminaire: White colour | pendant E27 light ON/OFF | TRIPLEX OPAL hand blown glass shade| rod pendant 100 cm |



## Technical data

Types of luminaires	Classic on/off
Mounting type	Suspended - rod
Base material	steel
Shade material	three-layer glass TRIPLEX OPAL
Base color	white Ral9003
Shade color	white
Holding the shade	folding system
Mounting location	ceiling
Width	140 mm
Length	140 mm
Height	210 mm
Diameter	ø 140 mm
Suspension length	1000 mm
mounting holes (diameter)	3xø5mm
Cable entrance	2xø16mm
Impact strength	IK01
Operating temperature	from -20°C to +30°C



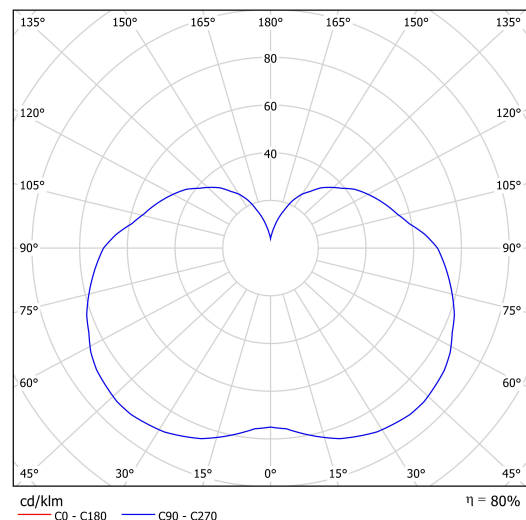
## Electrical data

Power consumption	25 W
Ingress Protection	IP40
Socket	E27
terminal block	screw terminal block

## Luminous data

Blue light hazard	Risk group 0
-------------------	--------------

Eulum data for calculation programs are available at [www.osmont.cz](http://www.osmont.cz).



# TECHNICAL SHEET

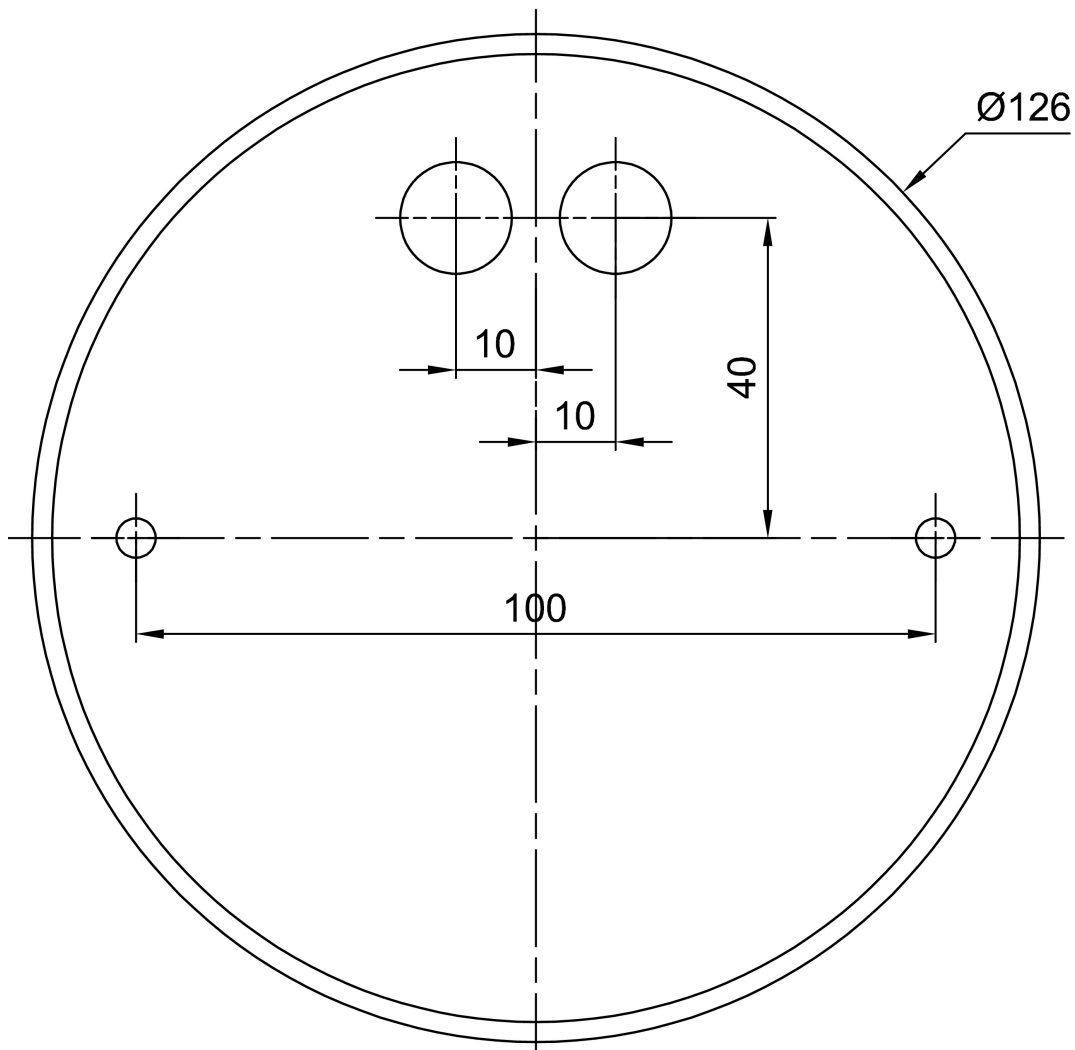


## Logistical data

EAN	8591728227869
Warranty*	60 months

\*The warranty for the batteries is valid for 36 months from the date of purchase.

## Installation dimensions:



## Additional assortment:

## Lampshade

Product code	Name	Color	Picture	Drawing
20121	406	white	