



ADRIA S4 HP

LED-5L08E950ZS11/098/L100/NK1W B 4K##

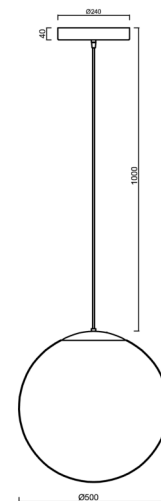
WWW.OSMONT.CZ

ADRIA S4 HP

Product code: ADR72610

Type: LED-5L08E950ZS11/098/L100/NK1W B 4K##

Short description of the luminaire: White colour | pendant high-power LED light with emergency backup combined | TRIPLEX OPAL hand blown glass shade | cable pendant (with inner support wire) 100 cm |



Technical

Types of luminaires	Emergency combined
Mounting type	Suspended - cable
Base material	steel
Shade material	three-layer glass TRIPLEX OPAL
Base color	white Ral9003
Shade color	white
Holding the shade	steel holder
Mounting location	ceiling
Width	500 mm
Length	500 mm
Height	500 mm
Diameter	∅ 500 mm
Hinge length	1000 mm
mounting holes (diameter)	3x∅5mm
Cable entrance	2x∅16mm
Energy Class	D
Impact strength	IK01
Operating temperature	from 0°C to +30°C

Electric

Power consumption	59 W
Ingress Protection	IP40
Socket	LED modul
Battery type	NiCd
Emergency time	3 hours
SELFTTEST	no
terminal block	snap terminal block
Automatic circuit breaker type B10A	12 pcs
Automatic circuit breaker type B16A	20 pcs
Automatic circuit breaker type C10A	22 pcs
Automatic circuit breaker type C16A	36 pcs

Luminous

Lum. flux of luminaire	8450 lm
Lum. flux of light source	9600 lm
Lum. flux of light source in emergency mode	150 lm
Luminaire efficacy	143 lm/W
Temperature	4000 K



TECHNICAL SHEET



Rated life time LED L80/B10	100000 hours
CRI	Ra80
MacAdam	3
Blue light hazard	Risk group 0

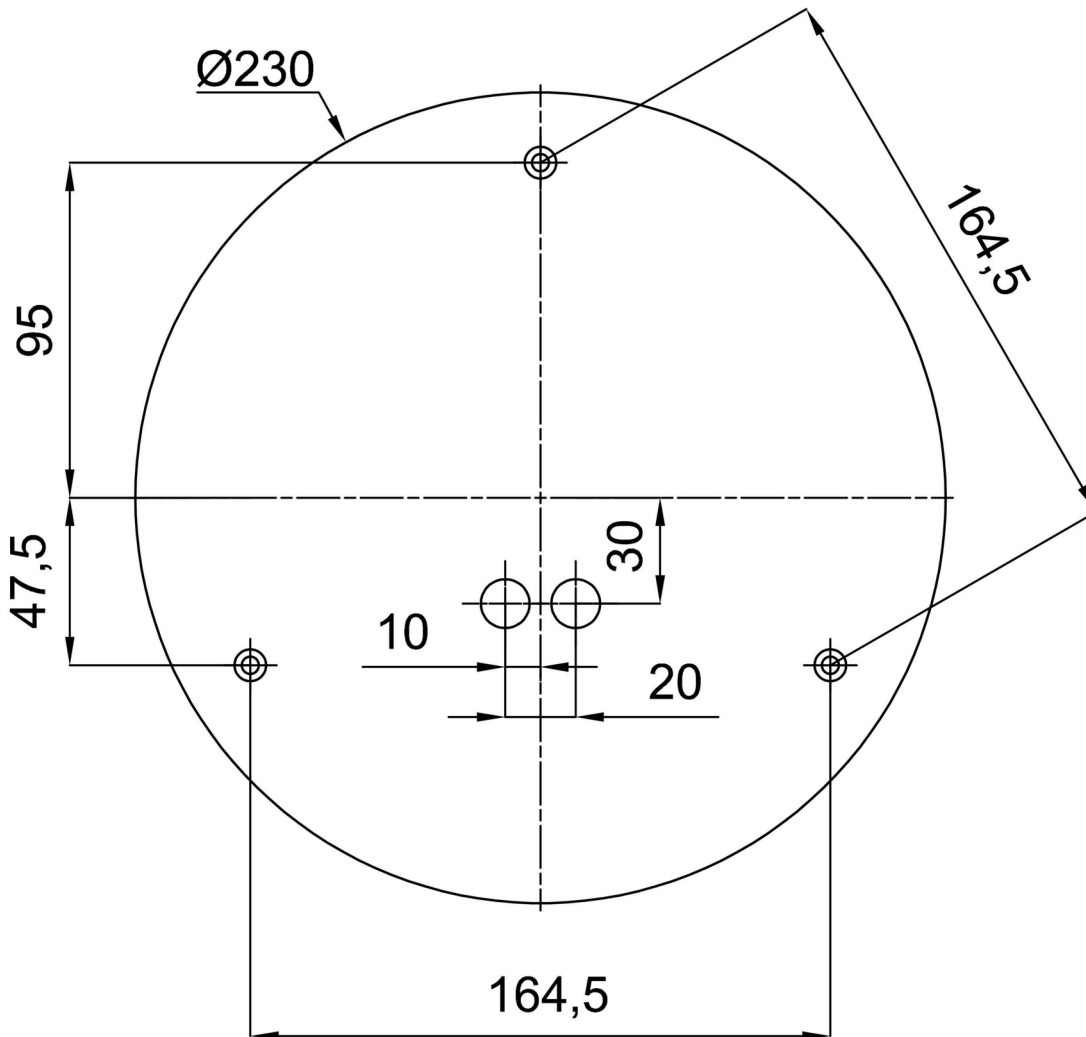
Eulum data for calculation programs are available at www.osmont.cz.

Logistic

EAN	8591728063092
Weight NTTO	5.8 Kg
Weight BTTO	7.32 Kg
Number of cartons	2 pcs
Package volume	0.148 m ³
Package 1 width	0.52 m
Package 1 length	0.52 m
Package 1 height	0.53 m
Warranty*	60 months

*The warranty for the batteries is valid for 12 months from the date of purchase.

Installation dimensions:



Additional assortment:

Lampshade

Product code	Name	Color	Description	Picture	Drawing
20041	098	white	příslušenství		