



ADRIA S3 HP

LED-5L08E850ZS11/096/L100/NK1W NB 3K#

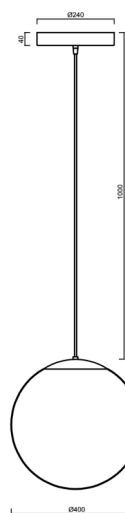
WWW.OSMONT.CZ

ADRIA S3 HP

Product code: ADR72109

Type: LED-5L08E850ZS11/096/L100/NK1W NB 3K#

Short description of the luminaire: Stainless steel brushed | pendant high-power LED light with emergency backup combined | TRIPLEX OPAL hand blown glass shade| cable pendant (with inner support wire) 100 cm |



Technical

| | |
|---------------------------|--------------------------------|
| Types of luminaires | Emergency combined |
| Mounting type | Suspended - cable |
| Base material | stainless steel steel |
| Shade material | three-layer glass TRIPLEX OPAL |
| Base color | brushed stainless steel |
| Shade color | white |
| Holding the shade | steel holder |
| Mounting location | ceiling |
| Width | 400 mm |
| Length | 400 mm |
| Height | 400 mm |
| Diameter | ø 400 mm |
| Hinge length | 1000 mm |
| mounting holes (diameter) | 3xø5mm |
| Cable entrance | 2xø16mm |
| Energy Class | D |
| Impact strength | IK01 |
| Operating temperature | from 0°C to +30°C |

Electric

| | |
|-------------------------------------|---------------------|
| Power consumption | 52 W |
| Ingress Protection | IP40 |
| Socket | LED modul |
| Battery type | NiCd |
| Emergency time | 3 hours |
| SELFTEST | no |
| terminal block | snap terminal block |
| Automatic circuit breaker type B10A | 12 pcs |
| Automatic circuit breaker type B16A | 20 pcs |
| Automatic circuit breaker type C10A | 22 pcs |
| Automatic circuit breaker type C16A | 36 pcs |

Luminous

| | |
|---|----------|
| Lum. flux of luminaire | 7300 lm |
| Lum. flux of light source | 8290 lm |
| Lum. flux of light source in emergency mode | 170 lm |
| Luminaire efficacy | 140 lm/W |
| Temperature | 3000 K |



TECHNICAL SHEET



| | |
|-----------------------------|--------------|
| Rated life time LED L80/B10 | 100000 hours |
| CRI | Ra80 |
| MacAdam | 3 |
| Blue light hazard | Risk group 0 |

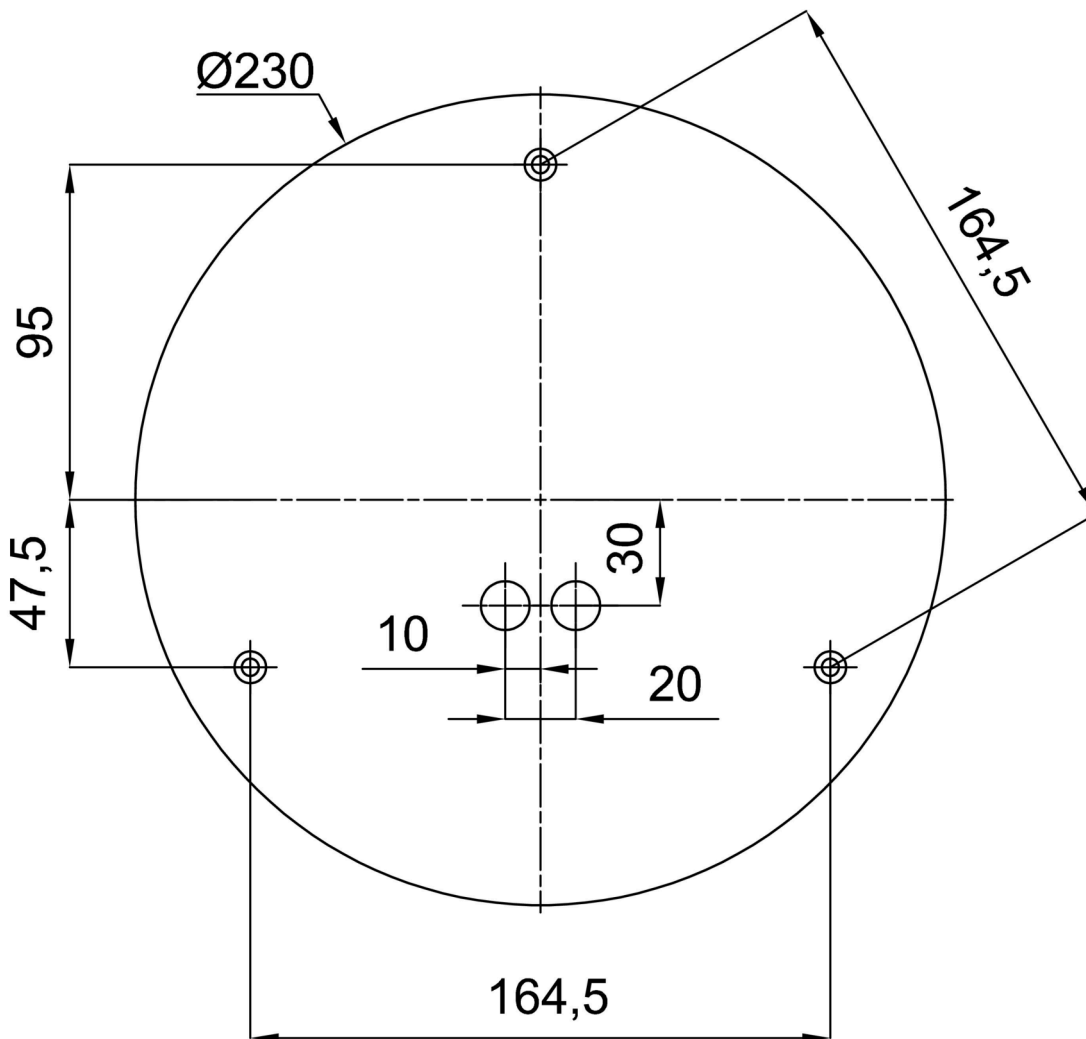
Eulum data for calculation programs are available at www.osmont.cz.

Logistic

| | |
|-------------------|----------------------|
| EAN | 8591728062385 |
| Weight NTTO | 5.2 Kg |
| Weight BTTO | 5.93 Kg |
| Number of cartons | 2 pcs |
| Package volume | 0.072 m ³ |
| Package 1 width | 0.405 m |
| Package 1 length | 0.405 m |
| Package 1 height | 0.41 m |
| Warranty* | 60 months |

*The warranty for the batteries is valid for 12 months from the date of purchase.

Installation dimensions:



Additional assortment:

Lampshade

| Product code | Name | Color | Description | Picture | Drawing |
|--------------|------|-------|---------------|---|---------|
| 20040 | 096 | white | příslušenství |  | |