



ADRIA S3

ZS11/096/L100 NB*

WWW.OSMONT.CZ

ADRIA S3

Product code: ADR53034

Type: ZS11/096/L100 NB*

Short description of the luminaire: Stainless brushed pendant E27 light ON/OFF with TRIPLEX OPAL glass shade.



Technical

| | |
|------------------------------|--------------------------------|
| Types of luminaires | Classic on/off |
| Mounting type | Suspended - cable |
| Base material | stainless steel steel |
| Shade material | three-layer glass TRIPLEX OPAL |
| Base color | brushed stainless steel |
| Shade color | white |
| Holding the shade | steel holder |
| Mounting location | ceiling |
| Width | 400 mm |
| Length | 400 mm |
| Height | 400 mm |
| Diameter | ø 400 mm |
| Hinge length | 1000 mm |
| mounting holes (diameter) | none |
| Installation wire (diameter) | none |
| Impact strength | IK01 |
| Operating temperature | from -20°C to +30°C |

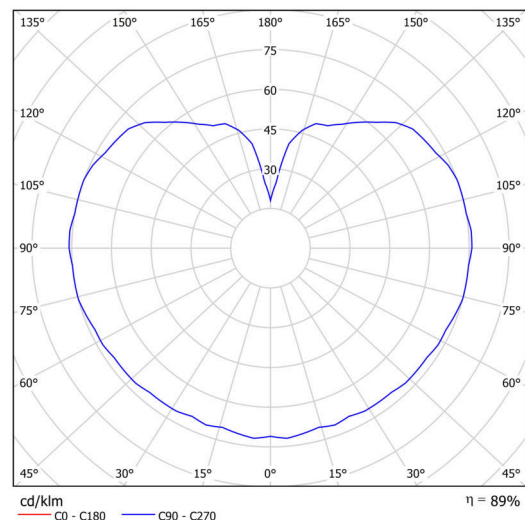
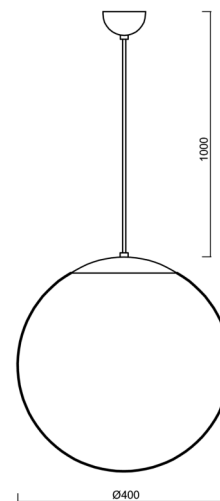
Electric

| | |
|--------------------|-------------|
| Voltage type | AC |
| AC voltage | 220 - 240 V |
| Power consumption | 40 W |
| Ingress Protection | IP40 |
| Socket | E27 |
| terminal block | none |

Luminous

| | |
|-------------------|--------------|
| Blue light hazard | Risk group 0 |
|-------------------|--------------|

Eulum data for calculation programs are available at www.osmont.cz.

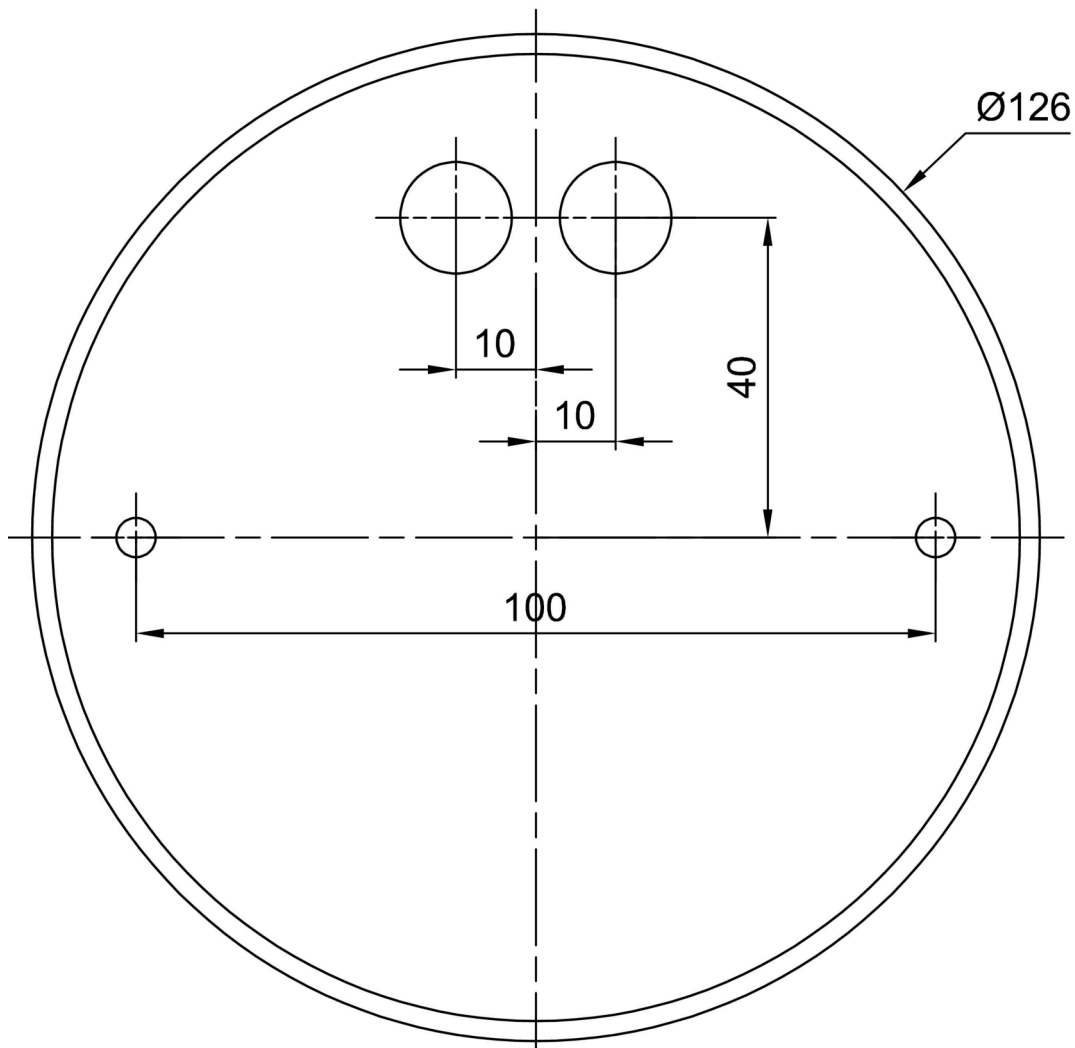


Logistic

| | |
|-------------------|----------------------|
| EAN | 8591728530341 |
| Weight NTTO | 3.8 Kg |
| Weight BTTO | 4.5 Kg |
| Number of cartons | 2 pcs |
| Package volume | 0.072 m ³ |
| Package 1 width | 0.405 m |
| Package 1 length | 0.405 m |
| Package 1 height | 0.41 m |
| Warranty* | 60 months |


*The warranty for the batteries is valid for 12 months from the date of purchase.

Installation dimensions:



Additional assortment:

Lampshade

| Product code | Name | Color | Description | Picture | Drawing |
|--------------|------|-------|-------------|---|---------|
| 20040 | 096 | white | |  | |