



ADRIA S2

ZS11/094/L100 B HF*

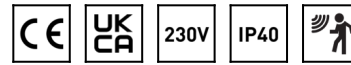
WWW.OSMONT.CZ

ADRIA S2

Product code: ADR45381

Type: ZS11/094/L100 B HF*

Short description of the luminaire: White color | pendant E27 light | microwave HF sensor | TRIPLEX OPAL glass shade with matt surface



Technical

Types of luminaires	Sensor
Mounting type	Suspended - cable
Base material	steel
Shade material	three-layer glass TRIPLEX OPAL
Base color	white Ral9003
Shade color	white
Holding the shade	steel holder
Mounting location	ceiling
Width	300 mm
Length	300 mm
Height	300 mm
Diameter	ø 300 mm
Hinge length	1000 mm
mounting holes (diameter)	none
Installation wire (diameter)	none
Impact strength	IK01
Operating temperature	from -20°C to +30°C

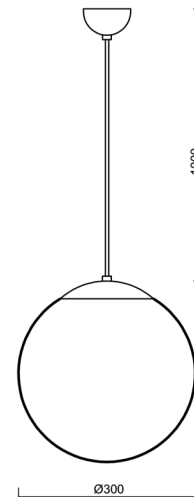
Electric

Power consumption	25 W
Ingress Protection	IP40
Socket	E27
Sensor	HF
terminal block	none

Luminous

Blue light hazard	Risk group 0
-------------------	--------------

Eulum data for calculation programs are available at www.osmont.cz.

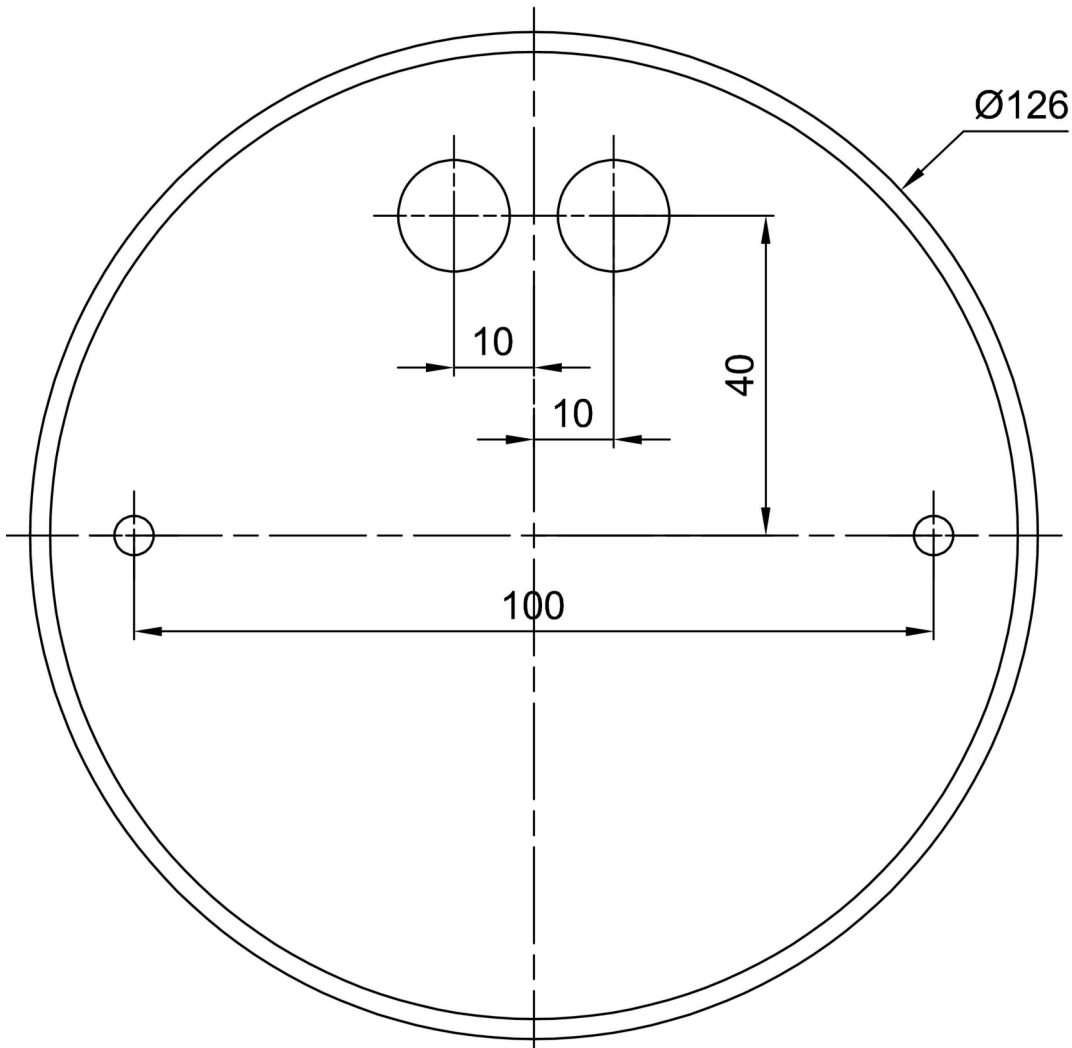


Logistic

EAN	8591728104719
Weight NTTO	2.2 Kg
Weight BTTO	2.7 Kg
Number of cartons	2 pcs
Package volume	0.035 m ³
Package 1 width	0.31 m
Package 1 length	0.31 m
Package 1 height	0.31 m
Warranty*	60 months

*The warranty for the batteries is valid for 12 months from the date of purchase.

Installation dimensions:



Additional assortment:

Lampshade

Product code	Name	Color	Description	Picture	Drawing
20039	094	white			