



## ADRIA S1

---

ZS11/092/L100 MS\*

[WWW.OSMONT.CZ](http://WWW.OSMONT.CZ)

# ADRIA S1

Product code: ADR53001

Type: ZS11/092/L100 MS\*

Short description of the luminaire: Brass pendant E27 light ON/OFF with TRIPLEX OPAL glass shade.



## Technical

Types of luminaires	Classic on/off
Mounting type	Suspended - cable
Base material	brass
Shade material	three-layer glass TRIPLEX OPAL
Base color	polished brass
Shade color	white
Holding the shade	steel holder
Mounting location	ceiling
Width	200 mm
Length	200 mm
Height	200 mm
Diameter	ø 200 mm
Hinge length	1000 mm
mounting holes (diameter)	none
Installation wire (diameter)	none
Impact strength	IK01
Operating temperature	from -20°C to +30°C



## Electric

Voltage type	AC
AC voltage	220 - 240 V
Power consumption	25 W
Ingress Protection	IP40
Socket	E27
terminal block	none

## Luminous

Blue light hazard	Risk group 0
-------------------	--------------

Eulum data for calculation programs are available at [www.osmont.cz](http://www.osmont.cz).

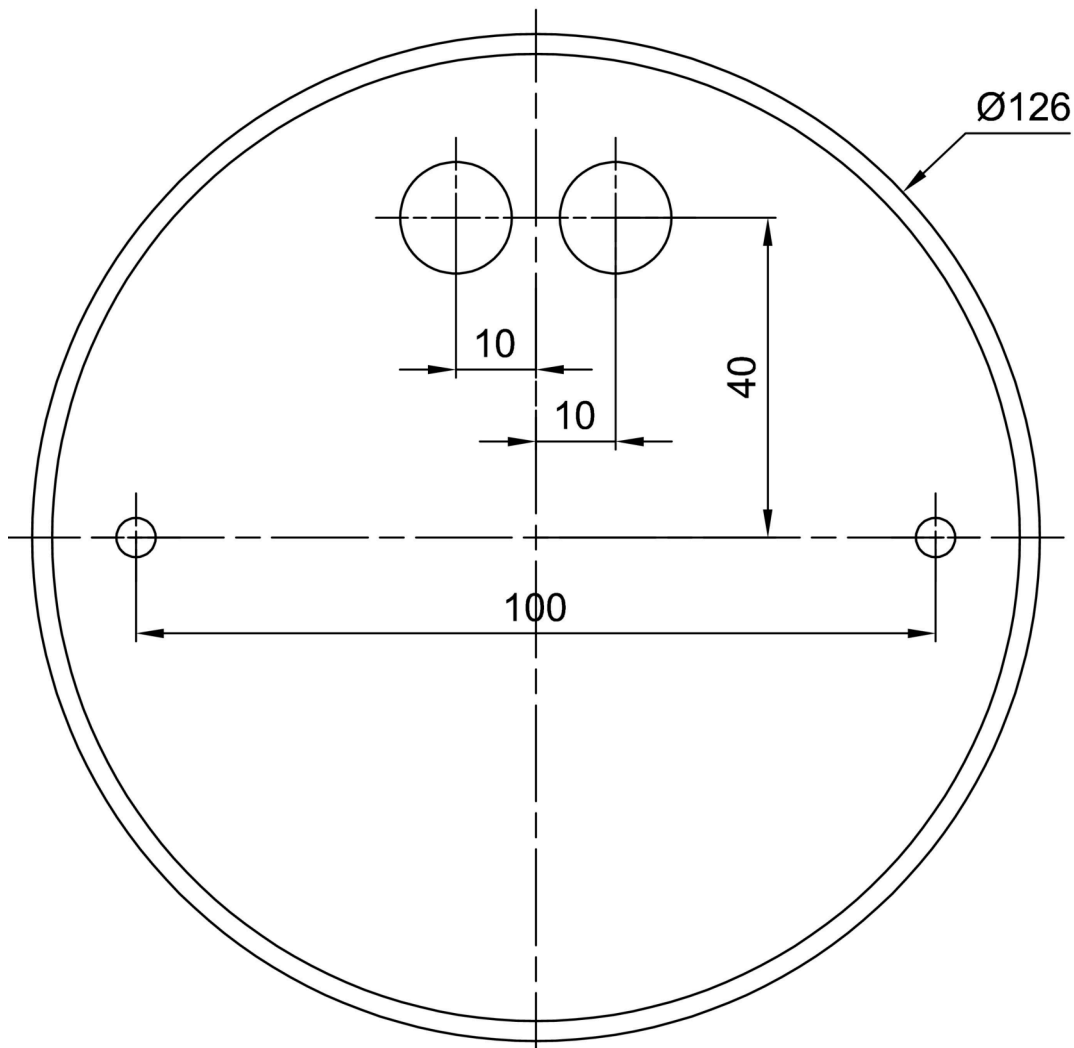


Logistic

EAN	8591728530013
Weight NTTO	1.4 Kg
Weight BTTO	1.7 Kg
Number of cartons	2 pcs
Package volume	0.014 m <sup>3</sup>
Package 1 width	0.21 m
Package 1 length	0.21 m
Package 1 height	0.205 m
Warranty*	60 months

\*The warranty for the batteries is valid for 12 months from the date of purchase.

Installation dimensions:



Additional assortment:

## Lampshade

Product code	Name	Color	Description	Picture	Drawing
20038	092	white		