



ADRIA P3A HP

LED-5L06E900Z11/097/L60 C DALI 4K#

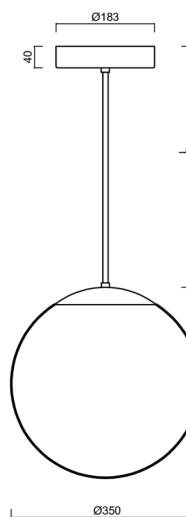
WWW.OSMONT.CZ

ADRIA P3A HP

Product code: ADR50766

Type: LED-5L06E900Z11/097/L60 C DALI 4K#

Short description of the luminaire: Black colour | pendant high-power LED light DALI | TRIPLEX OPAL hand blown glass shade | rod pendant 60 cm |



Technical data

Types of luminaires	Dimmable
Mounting type	Suspended - rod
Base material	steel
Shade material	three-layer glass TRIPLEX OPAL
Base color	black Ral9005
Shade color	white
Holding the shade	steel holder
Mounting location	ceiling
Width	350 mm
Length	350 mm
Height	350 mm
Diameter	ø 350 mm
Suspension length	600 mm
mounting holes (diameter)	none
Energy Class	D
Impact strength	IK01
Operating temperature	from -20°C to +30°C

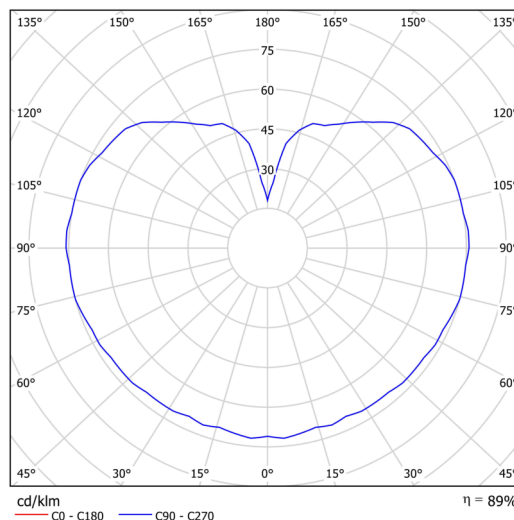
Electrical data

Power consumption	43 W
Ingress Protection	IP40
Socket	LED modul
terminal block	none

Luminous data

Lum. flux of luminaire	5870 lm
Lum. flux of light source	6670 lm
Chromaticity temperature	4000 K
Rated life time LED L80/B10	100000 hours
CRI	Ra80
MacAdam	3
Blue light hazard	Risk group 0

Eulum data for calculation programs are available at www.osmont.cz.



TECHNICAL SHEET

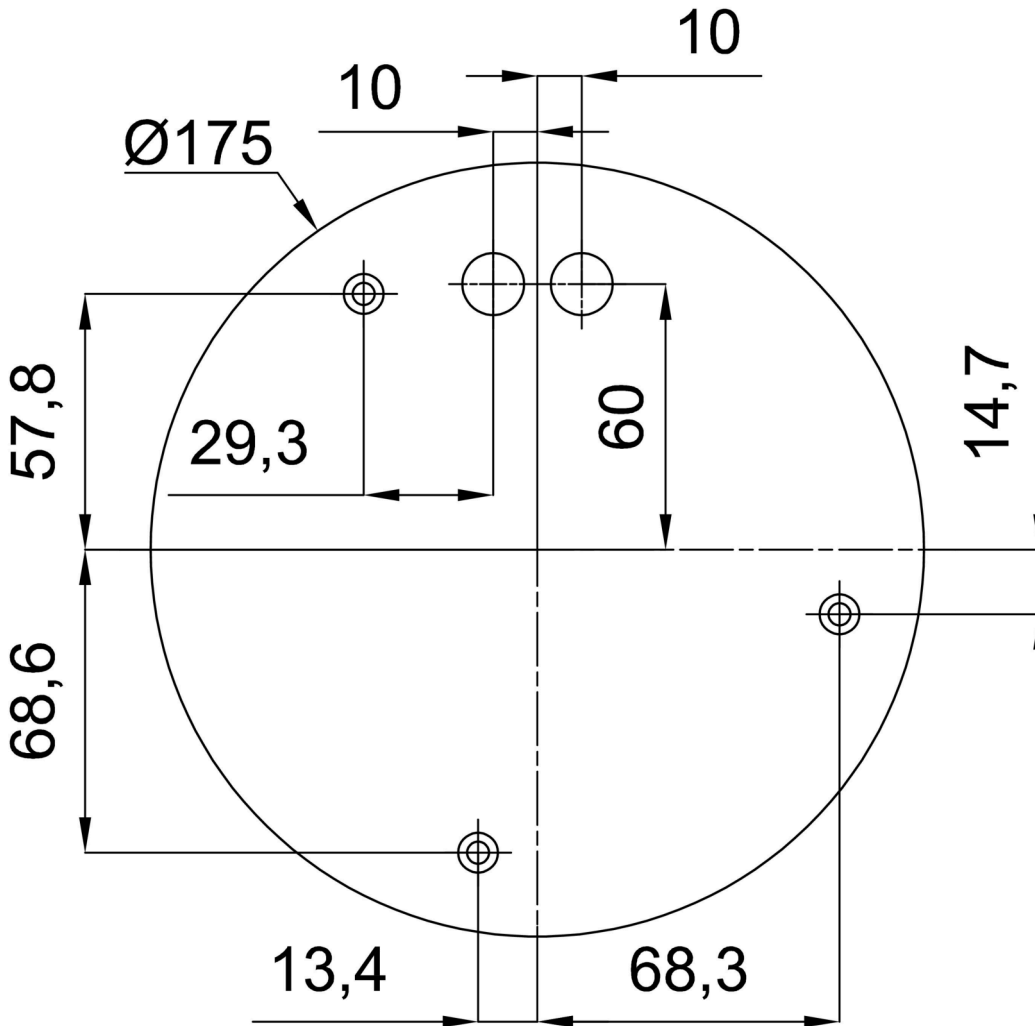


Logistical data

EAN	8591728204570
Warranty*	60 months

*The warranty for the batteries is valid for 36 months from the date of purchase.

Installation dimensions:



Additional assortment:

Lampshade

Product code	Name	Color	Picture	Drawing
20144	097	white	