



ADRIA P3A HP

LED-5L06E900Z11/097/L60 MS 3K#

WWW.OSMONT.CZ

ADRIA P3A HP

Product code: ADR50281

Type: LED-5L06E900Z11/097/L60 MS 3K#

Short description of the luminaire: Brass polished | pendant high-power LED light ON/OFF | TRIPLEX OPAL hand blown glass shade | rod pendant 60 cm |



Technical data

| | |
|---------------------------|--------------------------------|
| Types of luminaires | Classic on/off |
| Mounting type | Suspended - rod |
| Base material | brass |
| Shade material | three-layer glass TRIPLEX OPAL |
| Base color | polished brass |
| Shade color | white |
| Holding the shade | steel holder |
| Mounting location | ceiling |
| Width | 350 mm |
| Length | 350 mm |
| Height | 350 mm |
| Diameter | ø 350 mm |
| Suspension length | 600 mm |
| mounting holes (diameter) | none |
| Energy Class | D |
| Impact strength | IK01 |
| Operating temperature | from -20°C to +30°C |

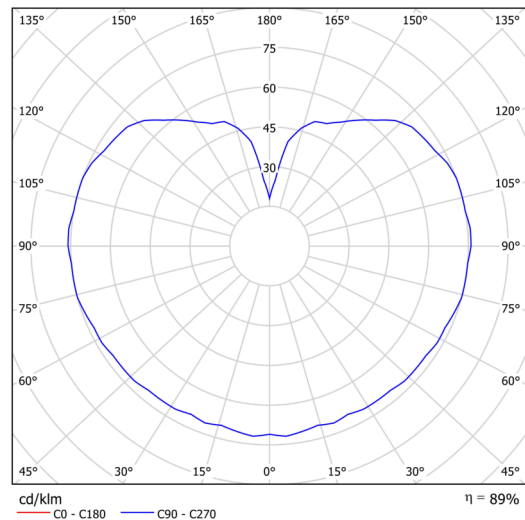
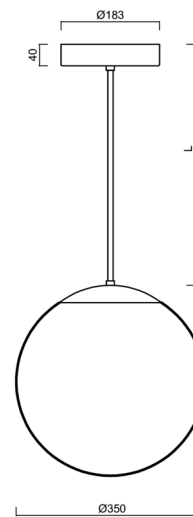
Electrical data

| | |
|--------------------|-----------|
| Power consumption | 43 W |
| Ingress Protection | IP40 |
| Socket | LED modul |
| terminal block | none |

Luminous data

| | |
|-----------------------------|--------------|
| Lum. flux of luminaire | 5630 lm |
| Lum. flux of light source | 6400 lm |
| Chromaticity temperature | 3000 K |
| Rated life time LED L80/B10 | 100000 hours |
| CRI | Ra80 |
| MacAdam | 3 |
| Blue light hazard | Risk group 0 |

Eulum data for calculation programs are available at www.osmont.cz.



TECHNICAL SHEET

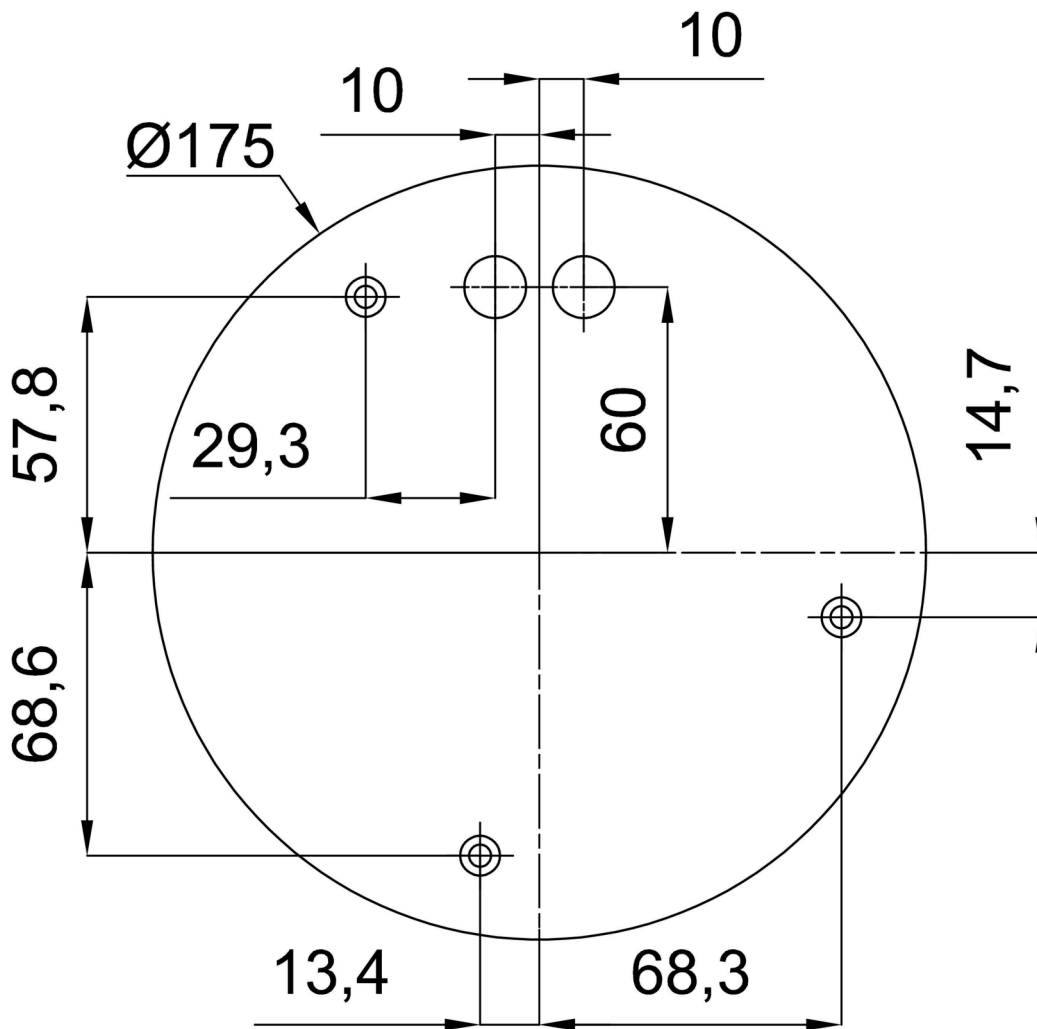


Logistical data

| | |
|-----------|---------------|
| EAN | 8591728198473 |
| Warranty* | 60 months |


*The warranty for the batteries is valid for 36 months from the date of purchase.

Installation dimensions:



Additional assortment:

Lampshade

| Product code | Name | Color | Picture | Drawing |
|--------------|------|-------|---|---------|
| 20144 | 097 | white |  | |