



## ADRIA P2 HP

---

LED-5L06E700Z11/094/L20 C DALI 3K#

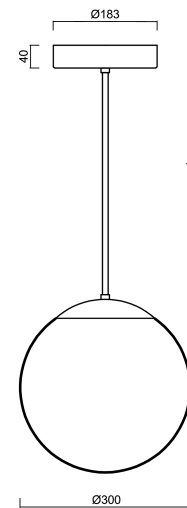
[WWW.OSMONT.CZ](http://WWW.OSMONT.CZ)

# ADRIA P2 HP

Product code: ADR50085

Type: LED-5L06E700Z11/094/L20 C DALI 3K#

Short description of the luminaire: Black colour | pendant high-power LED light DALI | TRIPLEX OPAL hand blown glass shade | rod pendant 20 cm |



## Technical data

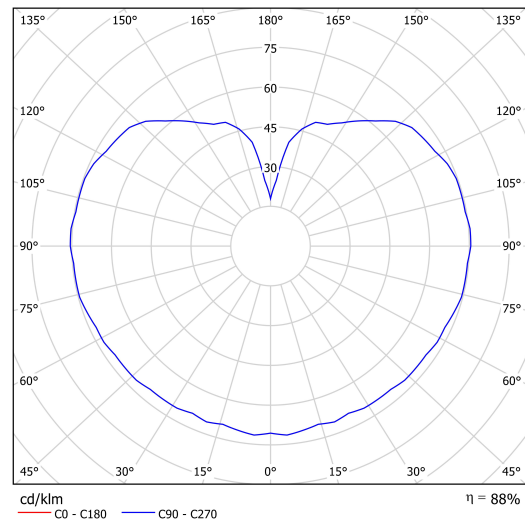
Types of luminaires	Dimmable
Mounting type	Suspended - rod
Base material	steel
Shade material	three-layer glass TRIPLEX OPAL
Base color	black Ral9005
Shade color	white
Holding the shade	steel holder
Mounting location	ceiling
Width	300 mm
Length	300 mm
Height	300 mm
Diameter	Ø 300 mm
Suspension length	200 mm
mounting holes (diameter)	none
Energy Class	D
Impact strength	IK01
Operating temperature	from -20°C to +30°C

## Electrical data

Power consumption	33 W
Ingress Protection	IP40
Socket	LED modul
terminal block	none
Automatic circuit breaker type B10A	31 pcs
Automatic circuit breaker type B16A	50 pcs
Automatic circuit breaker type C10A	52 pcs
Automatic circuit breaker type C16A	85 pcs
Switching current	5 A / 50 µsec
Number of LED drivers	1

## Luminous data

Lum. flux of luminaire	4400 lm
Lum. flux of light source	5000 lm
Luminaire efficacy	133 lm/W
Chromaticity temperature	3000 K
Rated life time LED L80/B10	100000 hours
CRI	Ra80
MacAdam	3
Blue light hazard	Risk group 0



# TECHNICAL SHEET



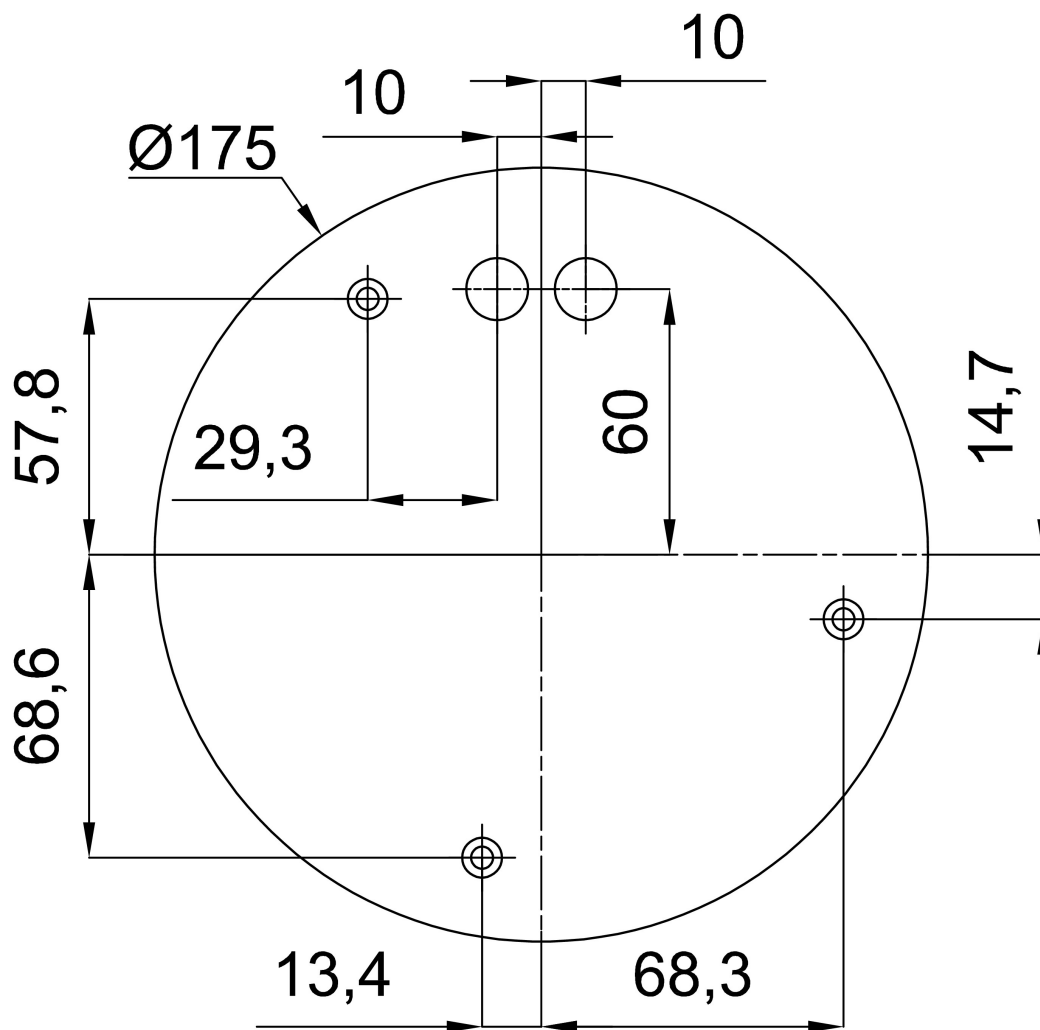
Eulum data for calculation programs are available at [www.osmont.cz](http://www.osmont.cz).

## Logistical data

EAN	8591728196516
Warranty*	60 months

\*The warranty for the batteries is valid for 36 months from the date of purchase.

## Installation dimensions:



## Additional assortment:

## Lampshade

Product code	Name	Color	Picture	Drawing
20039	094	white		